

The Smart Cards Grid Project



Goals

- > secure computing
 - confidential data/code
- > mobility
 - pervasive, unstable

Who?



SOD Team
<http://www.labri.fr/>



Why Java Cards?

- Low cost
- Compact, easy to handle
- Available right now
- Standard
- Java™ based

Why a Grid?

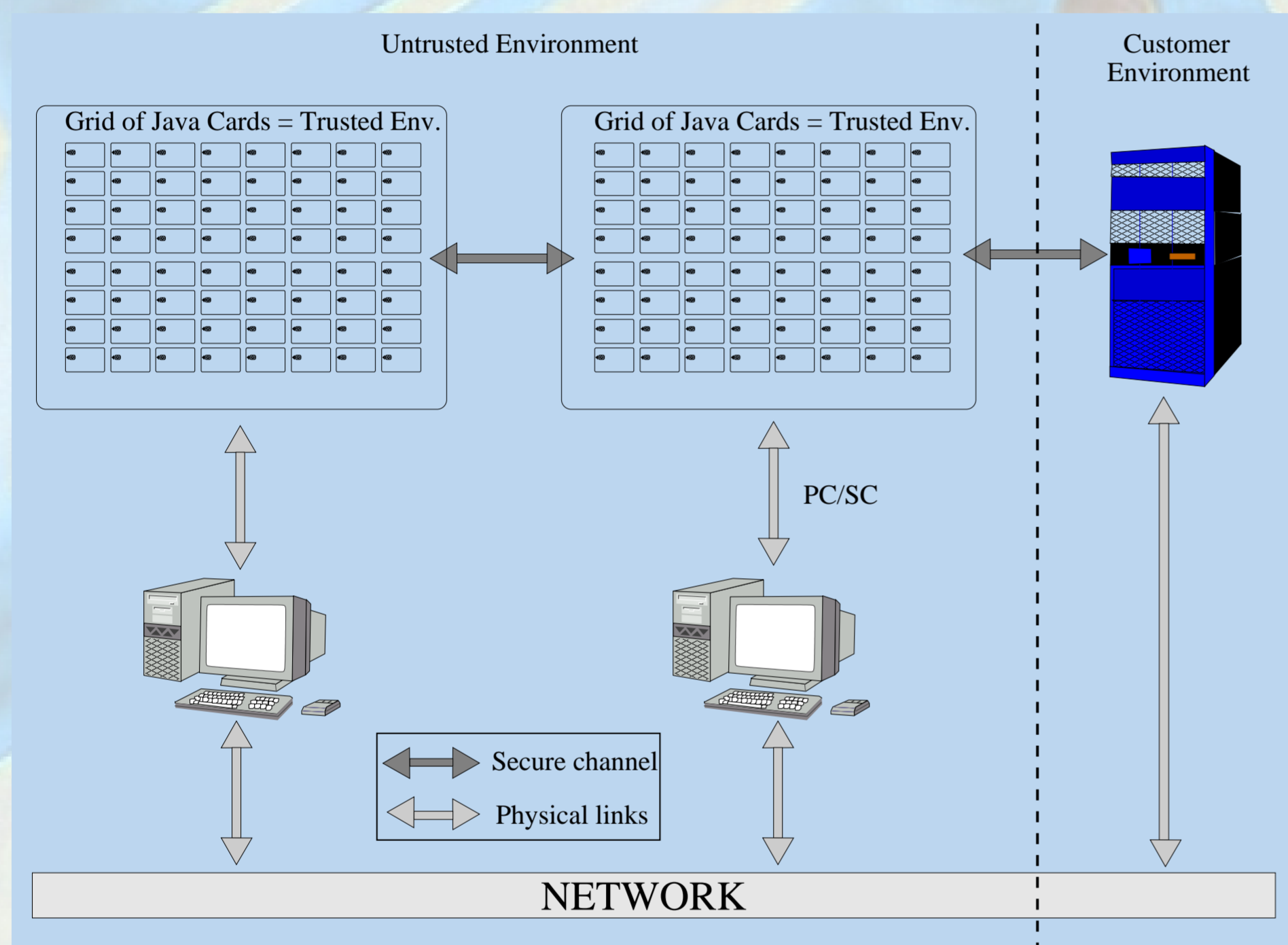
- grids everywhere :-)
- significant number of cards
- scalable

Application

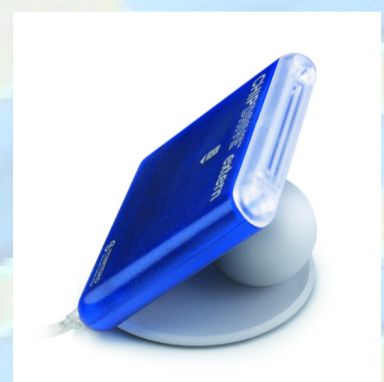
- ✓ Health & Human services
- ✓ Banking
- ✓ Mobile phones

Software Standards and Policies

- > Operating systems: Unix-like
- > Open Source PC/SC Lite & CCID driver
- > Java for both cards and framework
- > JPC/SC



Current Hardware Platform



20 contact readers

2 contactless readers



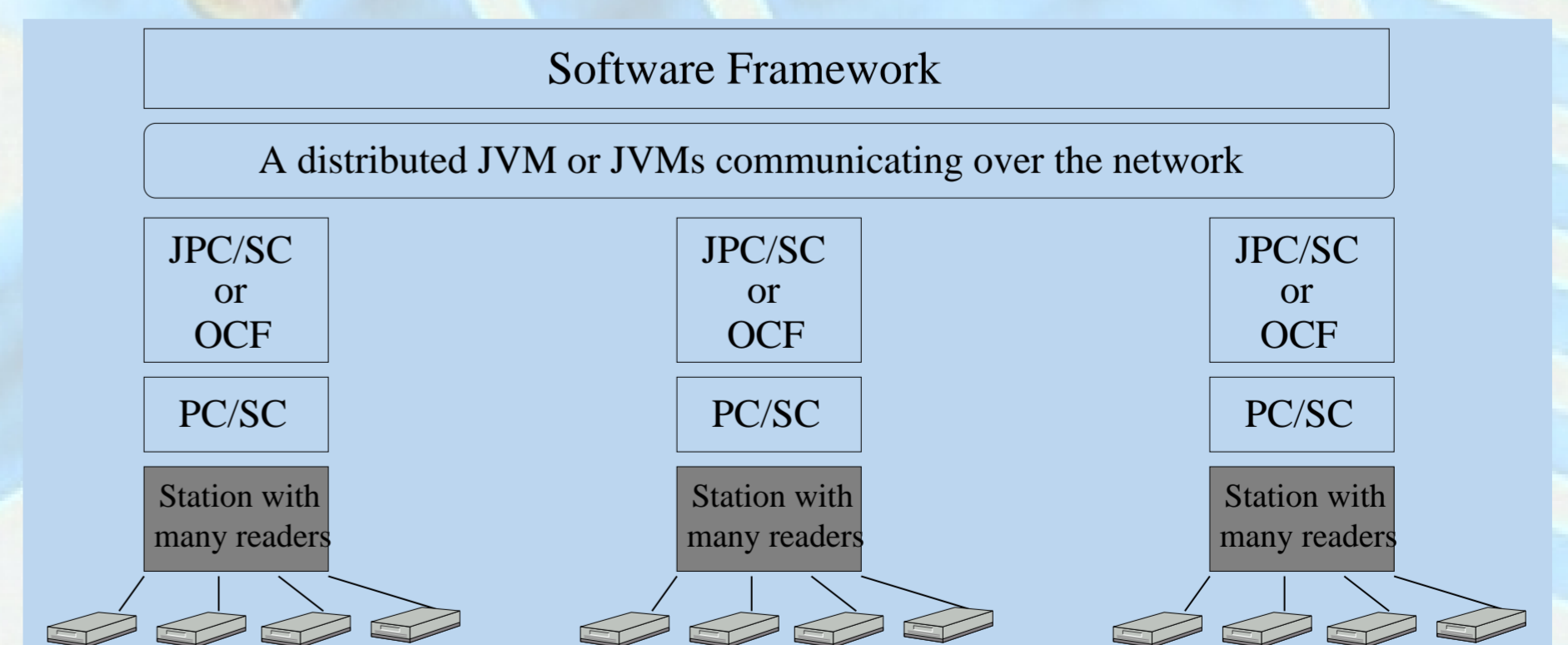
1 pinpad reader



30 Java Cards JCOP31 dual interface
 20 Java Cards GemXpresso PRO 64K



2 PCs & USB Hubs



Supported by:



IBM
 BlueZ
 Secure Systems



Contacts: Serge.Chaumette@labri.fr
Pascal.Grange@labri.fr
Damien.Sauveron@labri.fr
Pierre.Vignerat@labri.fr