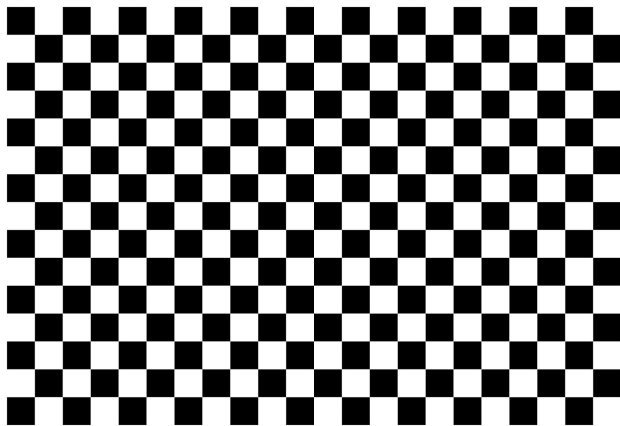


A short proof of the existence of non-empty  
strongly aperiodic subshifts over  $\{0, 1\}$  in  
countable groups.

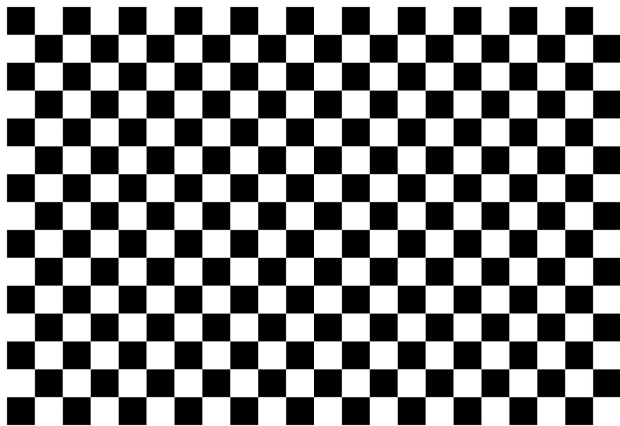
Sebastián Barbieri  
LIP, ENS de Lyon

Séminaire LIMD  
January, 2016

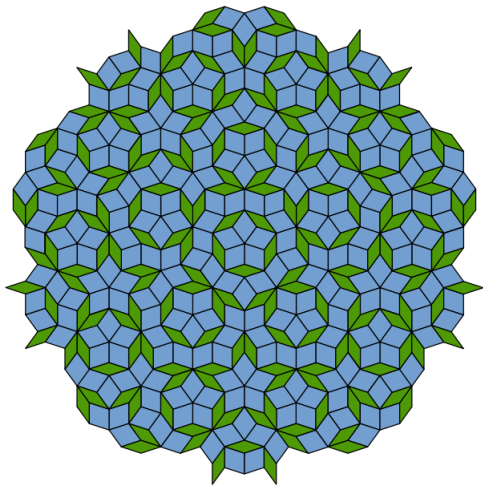
This is a periodic tiling



This is a periodic tiling



This is BORING.



This is cool !

Cool things are useful in real life!

Cool things are useful in real life!



A good example of uses of aperiodic tilings.

# Subshifts

# G-Subshifts

- ▶  $G$  is a countable group.
- ▶  $\mathcal{A}$  is a finite alphabet. Ex :  $\mathcal{A} = \{0, 1\}$ .
- ▶  $\mathcal{A}^G$  is the set of configurations,  $x : G \rightarrow \mathcal{A}$
- ▶  $\sigma : G \times \mathcal{A}^G \rightarrow \mathcal{A}^G$  is the left shift action given by :

$$\sigma(h, x)_g := \sigma_h(x)_g = x_{h^{-1}g}.$$



# G-Subshifts

- ▶  $G$  is a countable group.
- ▶  $\mathcal{A}$  is a finite alphabet. Ex :  $\mathcal{A} = \{0, 1\}$ .
- ▶  $\mathcal{A}^G$  is the set of configurations,  $x : G \rightarrow \mathcal{A}$
- ▶  $\sigma : G \times \mathcal{A}^G \rightarrow \mathcal{A}^G$  is the left shift action given by :

$$\sigma(h, x)_g := \sigma_h(x)_g = x_{h^{-1}g}.$$

## Definition : G-subshift

$X \subset \mathcal{A}^G$  is a *G-subshift* if and only if it is invariant under the action of  $\sigma$  and closed for the product topology on  $\mathcal{A}^G$ .

# G-Subshifts

- ▶  $G$  is a countable group.
- ▶  $\mathcal{A}$  is a finite alphabet. Ex :  $\mathcal{A} = \{0, 1\}$ .
- ▶  $\mathcal{A}^G$  is the set of configurations,  $x : G \rightarrow \mathcal{A}$
- ▶  $\sigma : G \times \mathcal{A}^G \rightarrow \mathcal{A}^G$  is the left shift action given by :

$$\sigma(h, x)_g := \sigma_h(x)_g = x_{h^{-1}g}.$$

## Definition : G-subshift

$X \subset \mathcal{A}^G$  is a *G-subshift* if and only if it is invariant under the action of  $\sigma$  and closed for the product topology on  $\mathcal{A}^G$ .

Alternatively :  $\exists \mathcal{F} \subset \bigcup_{F \subset G, |F| < \infty} \mathcal{A}^F$  such that :

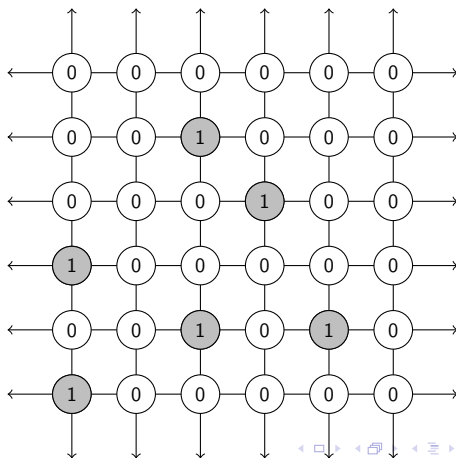
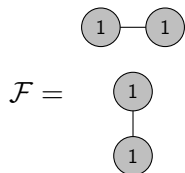
$$X = X_{\mathcal{F}} := \mathcal{A}^G \setminus \bigcup_{g \in G, p \in \mathcal{F}} \sigma_g([p])$$

## Example in $\mathbb{Z}^2$ : Fibonacci shift

**Example : Fibonacci shift.**  $X_{Fib}$  is the set of assignments of  $\mathbb{Z}^2$  to  $\{0, 1\}$  such that there are no two adjacent ones.

## Example in $\mathbb{Z}^2$ : Fibonacci shift

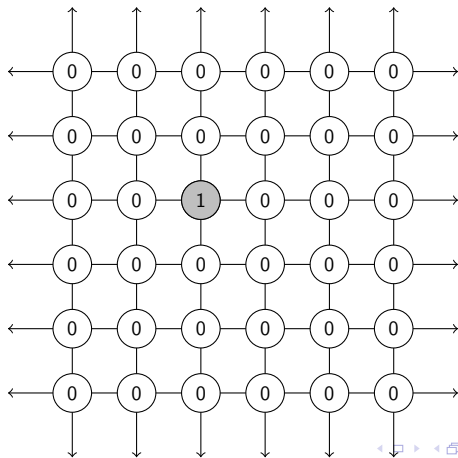
**Example : Fibonacci shift.**  $X_{Fib}$  is the set of assignments of  $\mathbb{Z}^2$  to  $\{0, 1\}$  such that there are no two adjacent ones.



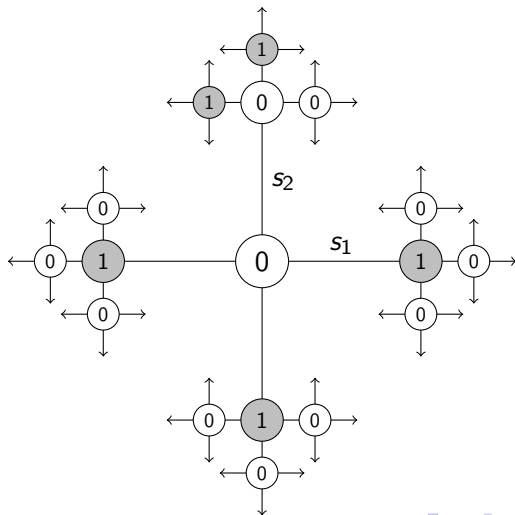
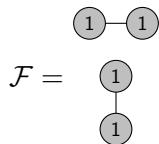
## Example : One-or-less subshift

**Example : One-or-less subshift.**

$$X_{\leq 1} := \{x \in \{0, 1\}^{\mathbb{Z}^d} \mid |\{z \in \mathbb{Z}^d : x_z = 1\}| \leq 1\}.$$



# Fibonacci in $F_2$ .



## Classes of subshifts.

### Definition : Subshift of finite type

A subshift is of *finite type (SFT)* if it can be defined by a finite set  $\mathcal{F}$  of forbidden patterns.

# Classes of subshifts.

## Definition : Subshift of finite type

A subshift is of *finite type (SFT)* if it can be defined by a finite set  $\mathcal{F}$  of forbidden patterns.

## Definition : Sofic subshift

A subshift is *sofic* if it is the image of an SFT under a morphism.  
(A continuous and shift-invariant function).



# Classes of subshifts.

## Definition : Subshift of finite type

A subshift is of *finite type (SFT)* if it can be defined by a finite set  $\mathcal{F}$  of forbidden patterns.

## Definition : Sofic subshift

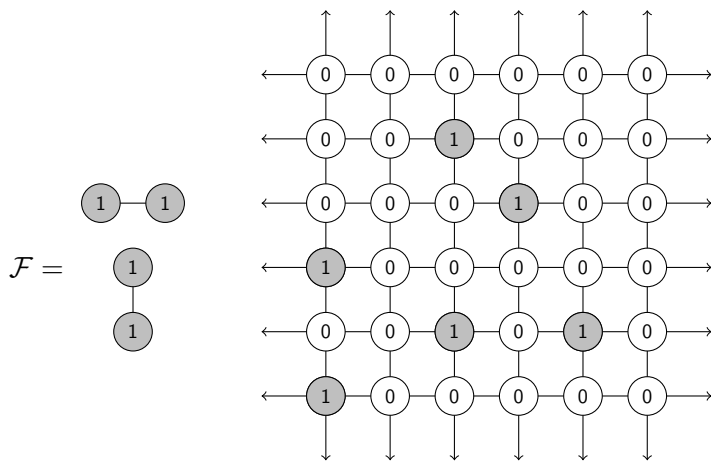
A subshift is *sofic* if it is the image of an SFT under a morphism. (A continuous and shift-invariant function).

## Definition : $G$ -Effectively closed subshift.

A subshift is  *$G$ -effectively closed* if it can be defined by a set of forbidden patterns  $\mathcal{F}$  which is recognizable by a Turing machine with oracle the word problem of  $G$ .

# Example SFT

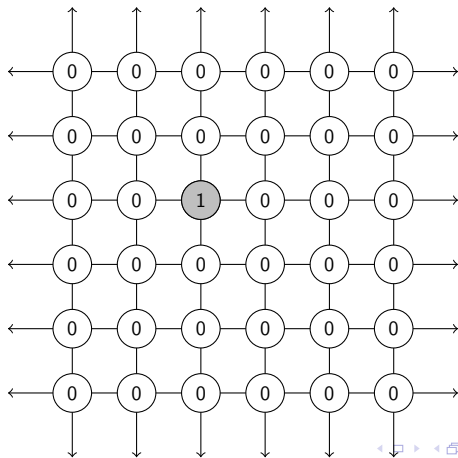
Example : The Fibonacci shift is an  $\mathbb{Z}^2$ -SFT.



## Example of sofic subshift.

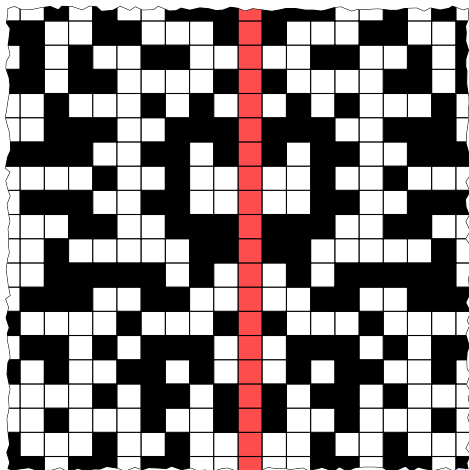
**Example :** The one-or-less subshift is sofic but not an SFT.

$$X_{\leq 1} := \{x \in \{0, 1\}^{\mathbb{Z}^d} \mid |\{z \in \mathbb{Z}^d : x_z = 1\}| \leq 1\}.$$



## Example of effectively closed subshift

**Example :** The mirror shift is effectively closed but not sofic.



# Periodicity

## Definition : Periodic point

We say  $x \in X$  is periodic if there exists  $g \in G \setminus \{1_G\}$  such that :

$$\sigma_g(x) = x$$

# Periodicity

## Definition : Periodic point

We say  $x \in X$  is periodic if there exists  $g \in G \setminus \{1_G\}$  such that :

$$\sigma_g(x) = x$$

## Definition : Aperiodic $G$ -subshift

We say  $X \subset \mathcal{A}^G$  is strongly aperiodic if every configuration  $x \in X$  is not periodic.

$$\forall x \in X, \text{stab}_\sigma(x) = \{g \in G \mid \sigma_g(x) = x\} = \{1_G\}$$

# Periodicity

## Definition : Periodic point

We say  $x \in X$  is periodic if there exists  $g \in G \setminus \{1_G\}$  such that :

$$\sigma_g(x) = x$$

## Definition : Aperiodic $G$ -subshift

We say  $X \subset \mathcal{A}^G$  is strongly aperiodic if every configuration  $x \in X$  is not periodic.

$$\forall x \in X, \text{stab}_\sigma(x) = \{g \in G \mid \sigma_g(x) = x\} = \{1_G\}$$

We say  $X \subset \mathcal{A}^G$  is weakly aperiodic if the orbit of every configuration  $x \in X$  is infinite.

$$\forall x \in X, \text{orb}_\sigma(x) = \{\sigma_g(x) \mid g \in G\} \text{ is infinite.}$$

# Periodicity

## Definition : Periodic point

We say  $x \in X$  is periodic if there exists  $g \in G \setminus \{1_G\}$  such that :

$$\sigma_g(x) = x$$

## Definition : Aperiodic $G$ -subshift

We say  $X \subset \mathcal{A}^G$  is strongly aperiodic if every configuration  $x \in X$  is not periodic.

$$\forall x \in X, \text{stab}_\sigma(x) = \{g \in G \mid \sigma_g(x) = x\} = \{1_G\}$$

We say  $X \subset \mathcal{A}^G$  is weakly aperiodic if the orbit of every configuration  $x \in X$  is infinite.

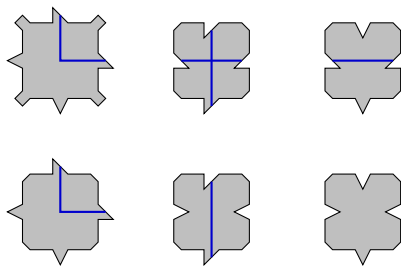
$$\forall x \in X, \text{orb}_\sigma(x) = \{\sigma_g(x) \mid g \in G\} \text{ is infinite.}$$

Obviously, we are interested in non-empty aperiodic subshifts.

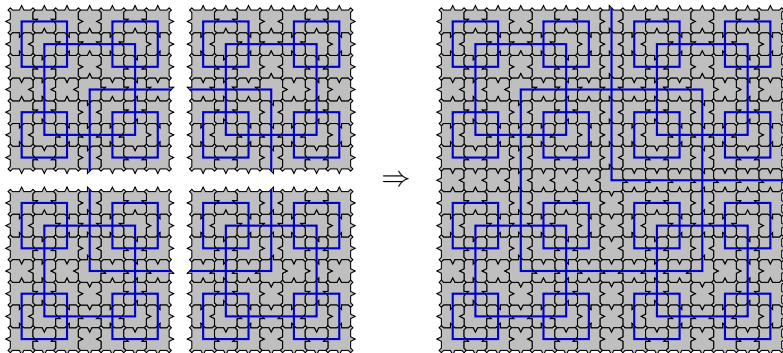


# Example of strongly aperiodic $\mathbb{Z}^2$ -SFT : Robinson tileset

The Robinson tileset, where tiles can be rotated.



# Example of strongly aperiodic $\mathbb{Z}^2$ -SFT : Robinson tileset



## Some recent results

- ▶ There are weakly aperiodic SFTs in Baumslag Solitar groups (2013 Aubrun-Kari)
- ▶ There are strongly aperiodic SFTs in the Heisenberg group (2014 Sahin-Schraudner)
- ▶ The existence of a strongly aperiodic SFT in  $G$  implies that  $G$  is one ended (2014 Cohen)
- ▶ The existence of a non-empty strongly aperiodic SFT is a quasi-isometry invariant for finitely presented torsion-free groups. (2014 Cohen)
- ▶ A recursively presented group which admits a non-empty strongly aperiodic SFT has decidable word problem (2015 Jeandel)

## Some recent partial results

It is not obvious to come up with examples of aperiodic subshifts in general groups even if no restrictions are supposed on the list of forbidden patterns.

**Question by Glasner and Uspenskij 2009**

Is there any countable group which does not admit any non-empty strongly aperiodic subshift on a two symbol alphabet?

## Some recent partial results

It is not obvious to come up with examples of aperiodic subshifts in general groups even if no restrictions are supposed on the list of forbidden patterns.

### Question by Glasner and Uspenskij 2009

Is there any countable group which does not admit any non-empty strongly aperiodic subshift on a two symbol alphabet?

### Theorem by Gao, Jackson and Seward 2009

No. All do.

And their proof is a quite technical construction.

# A new short proof

## However...

However ! It is possible to show the same result by using tools from probability and combinatorics.

## However...

However! It is possible to show the same result by using tools from probability and combinatorics.

Theorem by Aubrun, B, Thomassé

No. All do.

But now the proof is short. It uses the asymmetrical version of Lovász Local Lemma.



# Lovász Local Lemma

## Lovász Local Lemma (Asymmetrical version)

Let  $\mathcal{A} := \{A_1, A_2, \dots, A_n\}$  be a finite collection of measurable sets in a probability space  $(X, \mu, \mathcal{B})$ . For  $A \in \mathcal{A}$ , let  $\Gamma(A)$  be the smallest subset of  $\mathcal{A}$  such that  $A$  is independent of the collection  $\mathcal{A} \setminus (\{A\} \cup \Gamma(A))$ . Suppose there exists a function  $x : \mathcal{A} \rightarrow (0, 1)$  such that :

$$\forall A \in \mathcal{A} : \mu(A) \leq x(A) \prod_{B \in \Gamma(A)} (1 - x(B))$$

then the probability of avoiding all events in  $\mathcal{A}$  is positive, in particular :

$$\mu \left( X \setminus \bigcup_{i=1}^n A_i \right) \geq \prod_{A \in \mathcal{A}} (1 - x(A)) > 0.$$

# Lovász Local Lemma applied to subshifts

## A sufficient condition for being non-empty

Let  $G$  a countable group and  $X \subset \mathcal{A}^G$  a subshift defined by the set of forbidden patterns  $\mathcal{F} = \bigcup_{n \geq 1} \mathcal{F}_n$ , where  $\mathcal{F}_n \subset \mathcal{A}^{S_n}$ . Suppose that there exists a function  $x : \mathbb{N} \times G \rightarrow (0, 1)$  such that :

$$\forall n \in \mathbb{N}, g \in G, \mu(A_{n,g}) \leq x(n, g) \prod_{\substack{gS_n \cap hS_k \neq \emptyset \\ (k,h) \neq (n,g)}} (1 - x(k, h)),$$

where  $A_{n,g} = \{x \in \mathcal{A}^G : x|_{gS_n} \in \mathcal{F}_n\}$  and  $\mu$  is any Bernoulli probability measure on  $\mathcal{A}^G$ . Then the subshift  $X$  is non-empty.

## Proof of the theorem

We say  $x \in \{0, 1\}^G$  has *the distinct neighborhood property* if for every  $h \in G \setminus \{1_G\}$  there exists a finite subset  $T \subset G$  such that :

$$\forall g \in G : x|_{ghT} \neq x|_{gT}.$$

## Proof of the theorem

We say  $x \in \{0, 1\}^G$  has *the distinct neighborhood property* if for every  $h \in G \setminus \{1_G\}$  there exists a finite subset  $T \subset G$  such that :

$$\forall g \in G : x|_{ghT} \neq x|_{gT}.$$

### Proposition

If  $x$  has the distinct neighborhood property then  $\overline{\text{orb}_\sigma(x)}$  is strongly aperiodic.

## Proof of the theorem

It suffices to show that there is  $x \in \{0, 1\}^G$  with the distinct neighborhood property.

# Proof of the theorem

It suffices to show that there is  $x \in \{0, 1\}^G$  with the distinct neighborhood property.

## Ingredients

- ▶ A constant  $C \in \mathbb{N}$ .
- ▶ An enumeration  $s_1, s_2, \dots$  of  $G$ .
- ▶  $(T_i)_{i \in \mathbb{N}}$  a sequence of finite subsets of  $G$  such that for every  $i \in \mathbb{N}$ ,  $T_i \cap s_i T_i = \emptyset$  and  $|T_i| = C \cdot i$ .
- ▶ The uniform Bernoulli measure  $\mu$
- ▶  $\mathcal{A} := \{A_{n,g}\}_{n \geq 1, g \in G}$
- ▶  $A_{n,g} = \{x \in \{0, 1\}^G \mid x|_{gT_n} = x|_{gs_n T_n}\}$
- ▶  $x(A_{n,g}) := 2^{-\frac{Cn}{2}}$

Proof : On the blackboard.

We have shown :

## Theorem

*Every countable group has a non-empty, strongly aperiodic subshift on the alphabet  $\{0, 1\}$ .*

We have shown :

## Theorem

*Every countable group has a non-empty, strongly aperiodic subshift on the alphabet  $\{0, 1\}$ .*

But we can show something more :

## Theorem (Aubrun, B, Thomassé)

*Every finitely generated group  $G$  has a non-empty,  $G$ -effectively closed strongly aperiodic subshift.*



# Square-free vertex coloring

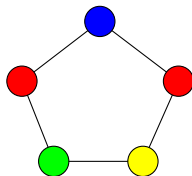
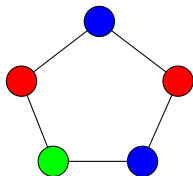
## Square-free vertex coloring

Let  $G = (V, E)$  be a graph. A vertex coloring is a function  $x : V \rightarrow \mathcal{A}$ . We say it is square-free if for every odd-length path  $p = v_1 \dots v_{2n}$  then there exists  $1 \leq j \leq n$  such that  $x(v_j) \neq x(v_{j+n})$ .

# Square-free vertex coloring

## Square-free vertex coloring

Let  $G = (V, E)$  be a graph. A vertex coloring is a function  $x : V \rightarrow \mathcal{A}$ . We say it is square-free if for every odd-length path  $p = v_1 \dots v_{2n}$  then there exists  $1 \leq j \leq n$  such that  $x(v_j) \neq x(v_{j+n})$ .



$C_5$  has a square-free vertex coloring with 4 colors, but not with 3.

## Square-free vertex coloring

For our purposes, we are interested in coloring infinite graphs. This can not always be done with a finite number of colors :  $K_{\mathbb{N}}$ .

## Square-free vertex coloring

For our purposes, we are interested in coloring infinite graphs. This can not always be done with a finite number of colors :  $K_{\mathbb{N}}$ .

**Theorem** : Alon, Grytczuk, Haluszczak and Riordan

Every finite graph with maximum degree  $\Delta$  can be colored with  $2e^{16}\Delta^2$  colors.

## Square-free vertex coloring

For our purposes, we are interested in coloring infinite graphs. This can not always be done with a finite number of colors :  $K_{\mathbb{N}}$ .

**Theorem** : Alon, Grytczuk, Haluszczak and Riordan

Every finite graph with maximum degree  $\Delta$  can be colored with  $2e^{16}\Delta^2$  colors.

It is possible to adapt the proof in order to obtain the following :  
Let  $G$  be a group which is generated by a finite set  $S$  and let  $\Gamma(G, S) = (G, \{\{g, gs\}, g \in G, s \in S\})$  be its undirected right Cayley graph.

**Theorem**

$G$  admits a coloring of its undirected Cayley graph  $\Gamma(G, S)$  with  $2^{19}|S|^2$  colors.

## The proof idea

Let  $|\mathcal{A}| \geq 2^{19}|\mathcal{S}|^2$  and  $X \subset \mathcal{A}^G$  be the subshift such that every square in  $\Gamma(G, \mathcal{S})$  is forbidden.

## The proof idea

Let  $|\mathcal{A}| \geq 2^{19}|\mathcal{S}|^2$  and  $X \subset \mathcal{A}^G$  be the subshift such that every square in  $\Gamma(G, \mathcal{S})$  is forbidden.

- The previous result implies that  $X \neq \emptyset$ .

## The proof idea

Let  $|\mathcal{A}| \geq 2^{19}|\mathcal{S}|^2$  and  $X \subset \mathcal{A}^G$  be the subshift such that every square in  $\Gamma(G, \mathcal{S})$  is forbidden.

- The previous result implies that  $X \neq \emptyset$ .
- Let  $g \in G$  such that  $\sigma_g(x) = x$  for some  $x \in X$ .



## The proof idea

Let  $|\mathcal{A}| \geq 2^{19}|S|^2$  and  $X \subset \mathcal{A}^G$  be the subshift such that every square in  $\Gamma(G, S)$  is forbidden.

- The previous result implies that  $X \neq \emptyset$ .
- Let  $g \in G$  such that  $\sigma_g(x) = x$  for some  $x \in X$ .
- Factorize  $g$  as  $uvw$  with  $u = v^{-1}$  and  $|w|$  minimal (as a word on  $(S \cup S^{-1})^*$ ). If  $|w| = 0$ , then  $g = 1_G$ .

# The proof idea

Let  $|\mathcal{A}| \geq 2^{19}|S|^2$  and  $X \subset \mathcal{A}^G$  be the subshift such that every square in  $\Gamma(G, S)$  is forbidden.

- The previous result implies that  $X \neq \emptyset$ .
- Let  $g \in G$  such that  $\sigma_g(x) = x$  for some  $x \in X$ .
- Factorize  $g$  as  $uvw$  with  $u = v^{-1}$  and  $|w|$  minimal (as a word on  $(S \cup S^{-1})^*$ ). If  $|w| = 0$ , then  $g = 1_G$ .
- If not, let  $w = w_1 \dots w_n$  and consider the odd length walk  $\pi = v_0 v_1 \dots v_{2n-1}$  on  $\Gamma(G, S)$  defined by :

$$v_i = \begin{cases} 1_G & \text{if } i = 0 \\ w_1 \dots w_i & \text{if } i \in \{1, \dots, n\} \\ ww_1 \dots w_{i-n} & \text{if } i \in \{n+1, \dots, 2n-1\} \end{cases}$$

# The proof idea

Let  $|\mathcal{A}| \geq 2^{19}|S|^2$  and  $X \subset \mathcal{A}^G$  be the subshift such that every square in  $\Gamma(G, S)$  is forbidden.

- The previous result implies that  $X \neq \emptyset$ .
- Let  $g \in G$  such that  $\sigma_g(x) = x$  for some  $x \in X$ .
- Factorize  $g$  as  $uvw$  with  $u = v^{-1}$  and  $|w|$  minimal (as a word on  $(S \cup S^{-1})^*$ ). If  $|w| = 0$ , then  $g = 1_G$ .
- If not, let  $w = w_1 \dots w_n$  and consider the odd length walk  $\pi = v_0 v_1 \dots v_{2n-1}$  on  $\Gamma(G, S)$  defined by :

$$v_i = \begin{cases} 1_G & \text{if } i = 0 \\ w_1 \dots w_i & \text{if } i \in \{1, \dots, n\} \\ ww_1 \dots w_{i-n} & \text{if } i \in \{n+1, \dots, 2n-1\} \end{cases}$$

- One can prove that  $\pi$  is a path. and that  $x_{v_i} = x_{v_{i+n}}$ . Yielding a contradiction.

# The proof idea

Let  $|\mathcal{A}| \geq 2^{19}|S|^2$  and  $X \subset \mathcal{A}^G$  be the subshift such that every square in  $\Gamma(G, S)$  is forbidden.

- The previous result implies that  $X \neq \emptyset$ .
- Let  $g \in G$  such that  $\sigma_g(x) = x$  for some  $x \in X$ .
- Factorize  $g$  as  $uvw$  with  $u = v^{-1}$  and  $|w|$  minimal (as a word on  $(S \cup S^{-1})^*$ ). If  $|w| = 0$ , then  $g = 1_G$ .
- If not, let  $w = w_1 \dots w_n$  and consider the odd length walk  $\pi = v_0 v_1 \dots v_{2n-1}$  on  $\Gamma(G, S)$  defined by :

$$v_i = \begin{cases} 1_G & \text{if } i = 0 \\ w_1 \dots w_i & \text{if } i \in \{1, \dots, n\} \\ ww_1 \dots w_{i-n} & \text{if } i \in \{n+1, \dots, 2n-1\} \end{cases}$$

- One can prove that  $\pi$  is a path. and that  $x_{v_i} = x_{v_{i+n}}$ . Yielding a contradiction.
- Therefore,  $g = 1_G$ .

## Theorem (Aubrun, B, Thomassé)

*Every finitely generated group  $G$  has a non-empty,  $G$ -effectively closed, strongly aperiodic subshift.*

## Theorem (Aubrun, B, Thomassé)

*Every finitely generated group  $G$  has a non-empty,  $G$ -effectively closed, strongly aperiodic subshift.*

Putting it together with Jeandel's result we get :

## Theorem

*Let  $G$  be a recursively presented group. There exists a non-empty  $\mathbb{Z}$ -effectively closed strongly aperiodic  $G$ -subshift if and only if the word problem of  $G$  is decidable.*

Another application is producing strongly aperiodic SFTs. Using a simulation theorem (A generalization of Hochman's result from 2008). We can prove the following :

Another application is producing strongly aperiodic SFTs. Using a simulation theorem (A generalization of Hochman's result from 2008). We can prove the following :

**Theorem (B, Sablik (hopefully available on 2016))**

*Let  $G$  be a finitely generated group with decidable word problem.  
Then  $\mathbb{Z}^2 \rtimes G$  admits a non-empty strongly aperiodic SFT.*

The writing of this is still in progress !



# Uniform density subshifts

# Uniform density

Let  $G$  be a finitely generated group and  $S$  a finite set of generators defining a word metric.

# Uniform density

Let  $G$  be a finitely generated group and  $S$  a finite set of generators defining a word metric. For  $x \in \{0, 1\}^G$  and a finite subset  $F \subset G$  let :

$$\text{dens}(1, F, x) := \frac{|\{g \in F \mid x_g = 1\}|}{|F|}.$$

# Uniform density

Let  $G$  be a finitely generated group and  $S$  a finite set of generators defining a word metric. For  $x \in \{0, 1\}^G$  and a finite subset  $F \subset G$  let :

$$\text{dens}(1, F, x) := \frac{|\{g \in F \mid x_g = 1\}|}{|F|}.$$

## Uniform density

A  $G$ -subshift over  $\{0, 1\}$  has *uniform density*  $\alpha \in [0, 1]$  if for every configuration  $x \in X$  and for every sequence  $(g_n)_{n \in \mathbb{N}}$  of elements in  $G$ , one has

$$\text{dens}(1, B(g_n, n), x) \rightarrow \alpha$$

## Uniform density

Let  $G$  be a finitely generated group and  $S$  a finite set of generators defining a word metric. For  $x \in \{0, 1\}^G$  and a finite subset  $F \subset G$  let :

$$\text{dens}(1, F, x) := \frac{|\{g \in F \mid x_g = 1\}|}{|F|}.$$

### Uniform density

A  $G$ -subshift over  $\{0, 1\}$  has *uniform density*  $\alpha \in [0, 1]$  if for every configuration  $x \in X$  and for every sequence  $(g_n)_{n \in \mathbb{N}}$  of elements in  $G$ , one has

$$\text{dens}(1, B(g_n, n), x) \rightarrow \alpha$$

### Example : Sturmian subshift

The Sturmian  $\mathbb{Z}$ -subshift of slope  $\alpha$  has uniform density  $\alpha$ .

## Question

Given a finitely generated group  $G$ , a finite set of generators  $S$  and  $\alpha \in (0, 1)$ . Does a subshift  $X_\alpha \subset \{0, 1\}^G$  with uniform density  $\alpha$  exist?

# Uniform density

## Question

Given a finitely generated group  $G$ , a finite set of generators  $S$  and  $\alpha \in (0, 1)$ . Does a subshift  $X_\alpha \subset \{0, 1\}^G$  with uniform density  $\alpha$  exist?

## Theorem (Aubrun, B, Thomassé)

*Yes, if  $G$  is infinite and has subexponential growth.*

# Uniform density

## Question

Given a finitely generated group  $G$ , a finite set of generators  $S$  and  $\alpha \in (0, 1)$ . Does a subshift  $X_\alpha \subset \{0, 1\}^G$  with uniform density  $\alpha$  exist?

## Theorem (Aubrun, B, Thomassé)

*Yes, if  $G$  is infinite and has subexponential growth.*

More precisely we show :

## Theorem

*Let  $G$  be an infinite and finitely generated group and  $\alpha \in [0, 1]$ . There is a non-empty subshift  $X_\alpha \subset \{0, 1\}^G$  such that for any  $x \in X_\alpha$  and Følner sequence  $(F_n)_{n \in \mathbb{N}}$*

$$\lim_{n \rightarrow \infty} \text{dens}(1, F_n, x) = \alpha.$$



## Definition

Let  $F, K$  be finite subsets of  $G$

- $Int(F, K) = \{g \in F \mid \forall k \in K, gk \in F\}$
- $\partial_K(F) = F \setminus Int(F, K)$

## Definition

Let  $F, K$  be finite subsets of  $G$

- $Int(F, K) = \{g \in F \mid \forall k \in K, gk \in F\}$
- $\partial_K(F) = F \setminus Int(F, K)$

Let  $X_\alpha$  be given by the following forbidden patterns :  $P \in \{0, 1\}^F$  is forbidden if and only if the following condition is not satisfied :

$$\frac{|\partial_{B(1_G, 5^n)} F|}{|F|} < \frac{1}{2n} \implies |dens(1, P) - \alpha| \leq \frac{1}{n}.$$

$X_\alpha$  clearly satisfies the property. It suffices to show that it is non-empty.

# An ingredient for the proof

## Definition

Let  $(X, d)$  be a metric space. We say  $F \subset G$  is *r-covering* if for each  $x \in G$  there is  $y \in F$  such that  $d(x, y) \leq r$ . We say  $F$  is *s-separating* if for each  $x \neq y \in F$  then  $d(x, y) > s$

# An ingredient for the proof

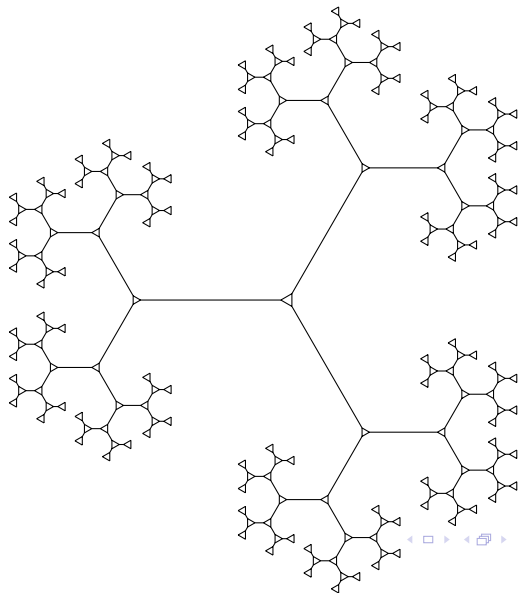
## Definition

Let  $(X, d)$  be a metric space. We say  $F \subset G$  is  *$r$ -covering* if for each  $x \in G$  there is  $y \in F$  such that  $d(x, y) \leq r$ . We say  $F$  is  *$s$ -separating* if for each  $x \neq y \in F$  then  $d(x, y) > s$

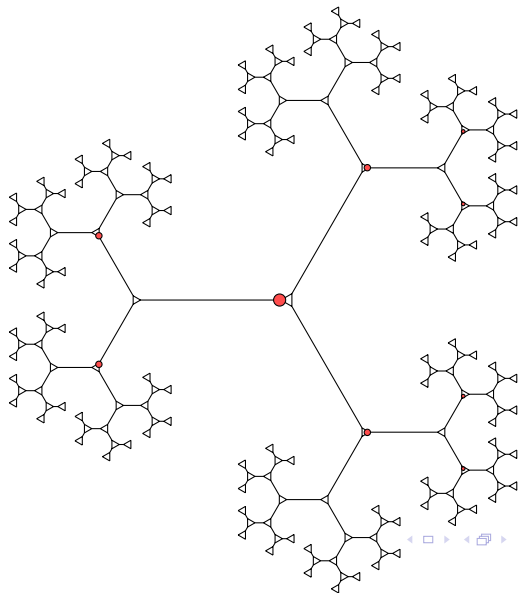
## Proposition

If  $X$  is countable, then for any  $r \in \mathbb{R}$  there exists  $Y \subset X$  such that  $Y$  is both  $r$ -separating and  $r$ -covering.

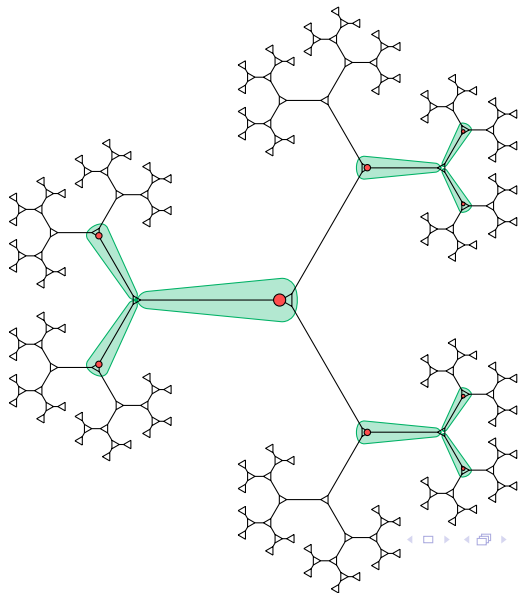
# Example : 2-covering and 2-separating set in $\text{PSL}(\mathbb{Z}, 2)$



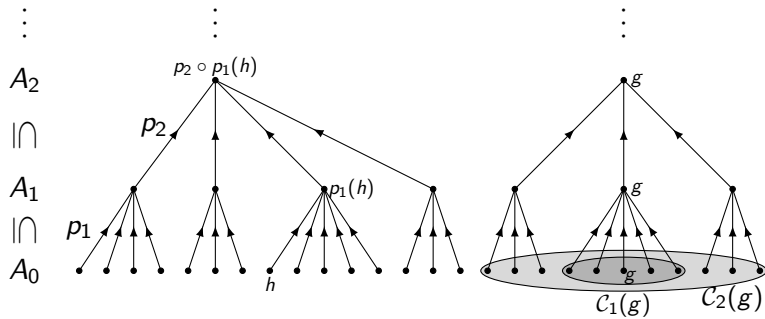
# Example : 2-covering and 2-separating set in $\text{PSL}(\mathbb{Z}, 2)$



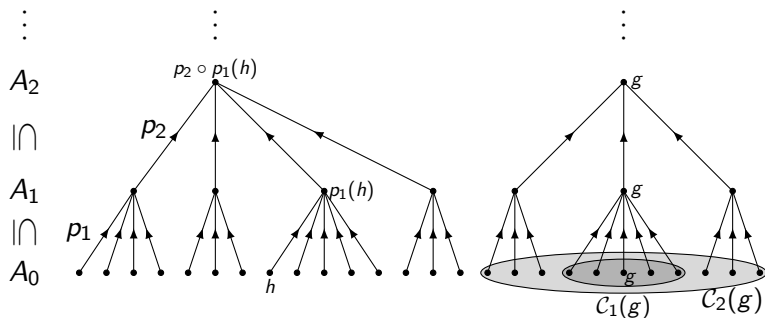
# Example : 2-covering and 2-separating set in $\text{PSL}(\mathbb{Z}, 2)$



# Proof







We can bound the size of a cluster of level  $n$  :

$$B(g, n) \subset C_n(g) \leq B(g, \frac{1}{2}(5^n - 1)).$$

- Finally, consider a function  $\phi : G \rightarrow \mathbb{N}$  satisfying that if  $\mathcal{C}_n(g) = \mathcal{C}_n(h)$  then  $\phi(g) \neq \phi(h)$  and all integers between  $\phi(g)$  and  $\phi(h)$  belong to  $\mathcal{C}_n(g)$ .

- Finally, consider a function  $\phi : G \rightarrow \mathbb{N}$  satisfying that if  $\mathcal{C}_n(g) = \mathcal{C}_n(h)$  then  $\phi(g) \neq \phi(h)$  and all integers between  $\phi(g)$  and  $\phi(h)$  belong to  $\mathcal{C}_n(g)$ .
- Let  $x \in \{0, 1\}^G$  defined by  $x_g = w_{\phi(g)}$  where  $w : \mathbb{N} \rightarrow \{0, 1\}$  is a Sturmian word of slope  $\alpha$  (or a periodic configuration if  $\alpha \in \mathbb{Q}$ ).

- Finally, consider a function  $\phi : G \rightarrow \mathbb{N}$  satisfying that if  $\mathcal{C}_n(g) = \mathcal{C}_n(h)$  then  $\phi(g) \neq \phi(h)$  and all integers between  $\phi(g)$  and  $\phi(h)$  belong to  $\mathcal{C}_n(g)$ .
- Let  $x \in \{0, 1\}^G$  defined by  $x_g = w_{\phi(g)}$  where  $w : \mathbb{N} \rightarrow \{0, 1\}$  is a Sturmian word of slope  $\alpha$  (or a periodic configuration if  $\alpha \in \mathbb{Q}$ ).
- $x \in X_\alpha$  by a straightforward calculation.

## Final remarks

- The subshift obtained by this construction is weakly aperiodic if  $\alpha \notin \mathbb{Q}$ .

# Final remarks

- The subshift obtained by this construction is weakly aperiodic if  $\alpha \notin \mathbb{Q}$ .
- We can also realize every density in free groups

## Final remarks

- The subshift obtained by this construction is weakly aperiodic if  $\alpha \notin \mathbb{Q}$ .
- We can also realize every density in free groups
- Hope : reduce the factor complexity of this construction to realize entropies using  $\bigcup_{\alpha < h} X_\alpha$ .

Merci beaucoup de votre attention !