

# Shift spaces on groups: computability and dynamics

Calculabilité et dynamique des sous-décalages sur des groupes

Sebastián Andrés **Barbieri Lemp**

LIP, ENS de Lyon

Soutenance de Thèse  
28 Juin 2017

# Motivation

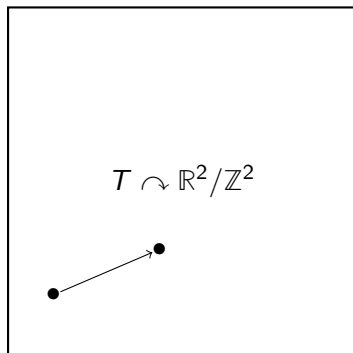
Consider  $T : \mathbb{R}^2/\mathbb{Z}^2 \rightarrow \mathbb{R}^2/\mathbb{Z}^2$  given by

$$T \left( \begin{bmatrix} x \\ y \end{bmatrix} \right) = \begin{bmatrix} 2 & 1 \\ 1 & 1 \end{bmatrix} \begin{bmatrix} x \\ y \end{bmatrix} \pmod{1}$$

# Motivation

Consider  $T : \mathbb{R}^2/\mathbb{Z}^2 \rightarrow \mathbb{R}^2/\mathbb{Z}^2$  given by

$$T \left( \begin{bmatrix} x \\ y \end{bmatrix} \right) = \begin{bmatrix} 2 & 1 \\ 1 & 1 \end{bmatrix} \begin{bmatrix} x \\ y \end{bmatrix} \pmod{1}$$



# Motivation

Consider  $T : \mathbb{R}^2/\mathbb{Z}^2 \rightarrow \mathbb{R}^2/\mathbb{Z}^2$  given by

$$T \left( \begin{bmatrix} x \\ y \end{bmatrix} \right) = \begin{bmatrix} 2 & 1 \\ 1 & 1 \end{bmatrix} \begin{bmatrix} x \\ y \end{bmatrix} \pmod{1}$$



# Motivation



# Motivation

$T : \mathbb{R}^2/\mathbb{Z}^2 \rightarrow \mathbb{R}^2/\mathbb{Z}^2$  given by

$$T \left( \begin{bmatrix} x \\ y \end{bmatrix} \right) = \begin{bmatrix} 2 & 1 \\ 1 & 1 \end{bmatrix} \begin{bmatrix} x \\ y \end{bmatrix} \pmod{1}$$



$\longrightarrow T \longrightarrow$



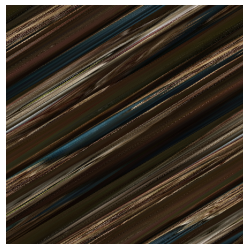
# Motivation

$T : \mathbb{R}^2/\mathbb{Z}^2 \rightarrow \mathbb{R}^2/\mathbb{Z}^2$  given by

$$T \left( \begin{bmatrix} x \\ y \end{bmatrix} \right) = \begin{bmatrix} 2 & 1 \\ 1 & 1 \end{bmatrix} \begin{bmatrix} x \\ y \end{bmatrix} \pmod{1}$$



$\longrightarrow T^2 \longrightarrow$



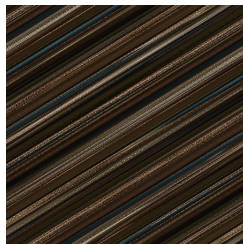
# Motivation

$T : \mathbb{R}^2/\mathbb{Z}^2 \rightarrow \mathbb{R}^2/\mathbb{Z}^2$  given by

$$T \left( \begin{bmatrix} x \\ y \end{bmatrix} \right) = \begin{bmatrix} 2 & 1 \\ 1 & 1 \end{bmatrix} \begin{bmatrix} x \\ y \end{bmatrix} \pmod{1}$$



$\longrightarrow T^3 \longrightarrow$

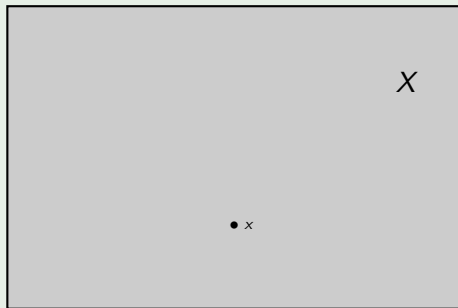




# What's a shift space?

A dynamical system might be complicated. A good idea is to code its trajectories using a partition.

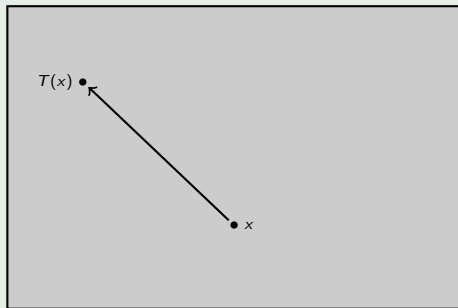
A  $\mathbb{Z}$ -action by homeomorphisms.



# What's a shift space?

A dynamical system might be complicated. A good idea is to code its trajectories using a partition.

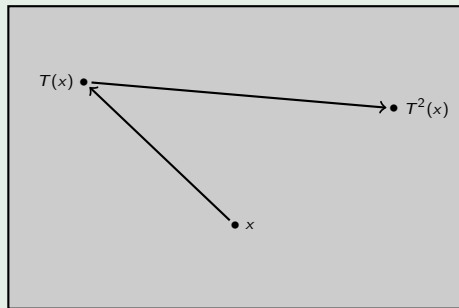
A  $\mathbb{Z}$ -action by homeomorphisms.



# What's a shift space?

A dynamical system might be complicated. A good idea is to code its trajectories using a partition.

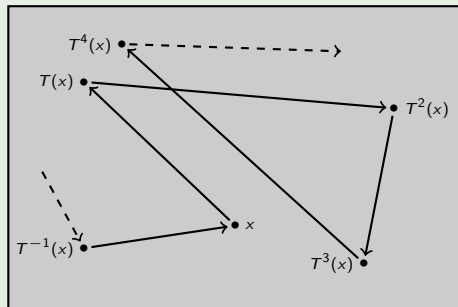
A  $\mathbb{Z}$ -action by homeomorphisms.



# What's a shift space?

A dynamical system might be complicated. A good idea is to code its trajectories using a partition.

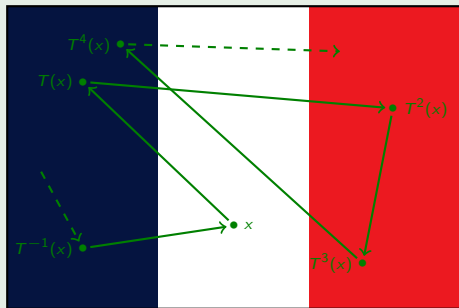
A  $\mathbb{Z}$ -action by homeomorphisms.



# What's a shift space?

A dynamical system might be complicated. A good idea is to code its trajectories using a partition.

A  $\mathbb{Z}$ -action by homeomorphisms.

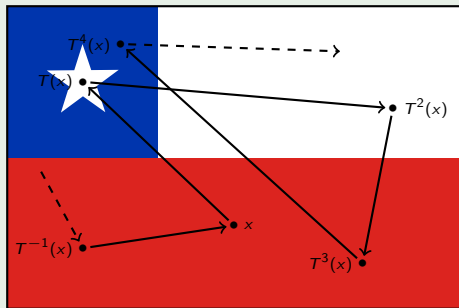


$$\varphi(x) = \cdots \begin{array}{c} \blacksquare \quad \square \quad \blacksquare \quad \blacksquare \quad \blacksquare \\ -1 \quad 0 \quad 1 \quad 2 \quad 3 \quad 4 \end{array} \cdots \in \{\blacksquare, \square, \square\}^{\mathbb{Z}}$$

# What's a shift space?

A dynamical system might be complicated. A good idea is to code its trajectories using a partition.

A  $\mathbb{Z}$ -action by homeomorphisms.

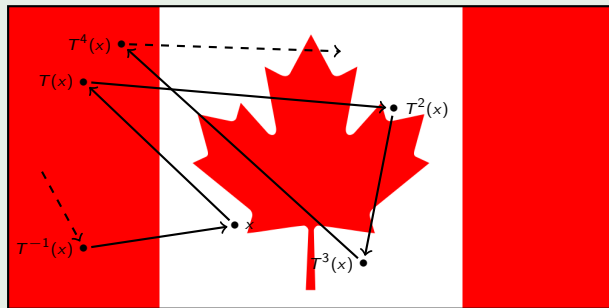


$$\varphi(x) = \cdots \begin{array}{cccccc} \color{red}\blacksquare & \color{red}\blacksquare & \color{white}\blacksquare & \color{white}\blacksquare & \color{red}\blacksquare & \color{blue}\blacksquare \\ -1 & 0 & 1 & 2 & 3 & 4 \end{array} \cdots \in \{\color{red}\blacksquare, \color{blue}\blacksquare, \color{white}\blacksquare\}^{\mathbb{Z}}$$

# What's a shift space?

A dynamical system might be complicated. A good idea is to code its trajectories using a partition.

A  $\mathbb{Z}$ -action by homeomorphisms.



$$\varphi(x) = \cdots \begin{array}{c} \color{red}\square \quad \square \quad \color{red}\square \quad \square \quad \square \quad \color{red}\square \\ -1 \quad 0 \quad 1 \quad 2 \quad 3 \quad 4 \end{array} \cdots \in \{\color{red}\square, \square\}^{\mathbb{Z}}$$

# Why a group action?

Let  $T, S$  be two homeomorphisms  $T : X \rightarrow X$  and  $S : X \rightarrow X$ .

We are interested in the system where both  $S$  and  $T$  act over  $X$ .



# Why a group action?

Let  $T, S$  be two homeomorphisms  $T : X \rightarrow X$  and  $S : X \rightarrow X$ .

We are interested in the system where both  $S$  and  $T$  act over  $X$ .

▷  $T$  is an odometer acting on  $\{0, 1\}^{\mathbb{Z}}$ :  $T \approx +1$ .

$$x = \dots 01000100010.0100101010010 \dots$$

# Why a group action?

Let  $T, S$  be two homeomorphisms  $T : X \rightarrow X$  and  $S : X \rightarrow X$ .

We are interested in the system where both  $S$  and  $T$  act over  $X$ .

▷  $T$  is an odometer acting on  $\{0, 1\}^{\mathbb{Z}}$ :  $T \approx +1$ .

$$T(x) = \dots 01000100011.0100101010010 \dots$$

# Why a group action?

Let  $T, S$  be two homeomorphisms  $T : X \rightarrow X$  and  $S : X \rightarrow X$ .

We are interested in the system where both  $S$  and  $T$  act over  $X$ .

▷  $T$  is an odometer acting on  $\{0, 1\}^{\mathbb{Z}}$ :  $T \approx +1$ .

$$T^2(x) = \dots 01000100100.0100101010010 \dots$$

# Why a group action?

Let  $T, S$  be two homeomorphisms  $T : X \rightarrow X$  and  $S : X \rightarrow X$ .

We are interested in the system where both  $S$  and  $T$  act over  $X$ .

▷  $T$  is an odometer acting on  $\{0, 1\}^{\mathbb{Z}}$ :  $T \approx +1$ .

$$T^3(x) = \dots 01000100101.0100101010010 \dots$$

# Why a group action?

Let  $T, S$  be two homeomorphisms  $T : X \rightarrow X$  and  $S : X \rightarrow X$ .

We are interested in the system where both  $S$  and  $T$  act over  $X$ .

▷  $T$  is an odometer acting on  $\{0, 1\}^{\mathbb{Z}}$ :  $T \approx +1$ .

$$T^4(x) = \dots 01000100110.0100101010010 \dots$$

# Why a group action?

Let  $T, S$  be two homeomorphisms  $T : X \rightarrow X$  and  $S : X \rightarrow X$ .  
We are interested in the system where both  $S$  and  $T$  act over  $X$ .

▷  $T$  is an odometer acting on  $\{0, 1\}^{\mathbb{Z}}$ :  $T \approx +1$ .

$$T^4(x) = \dots 01000100110.0100101010010 \dots$$

▷  $S$  is a shift acting on  $\{0, 1\}^{\mathbb{Z}}$ :  $S \approx \times 2$ .

$$x = \dots 01000100010.0100101010010 \dots$$

# Why a group action?

Let  $T, S$  be two homeomorphisms  $T : X \rightarrow X$  and  $S : X \rightarrow X$ .

We are interested in the system where both  $S$  and  $T$  act over  $X$ .

▷  $T$  is an odometer acting on  $\{0, 1\}^{\mathbb{Z}}$ :  $T \approx +1$ .

$$T^4(x) = \dots 01000100110.0100101010010 \dots$$

▷  $S$  is a shift acting on  $\{0, 1\}^{\mathbb{Z}}$ :  $S \approx \times 2$ .

$$S(x) = \dots 10001000100.1001010100100 \dots$$

# Why a group action?

Let  $T, S$  be two homeomorphisms  $T : X \rightarrow X$  and  $S : X \rightarrow X$ .

We are interested in the system where both  $S$  and  $T$  act over  $X$ .

▷  $T$  is an odometer acting on  $\{0, 1\}^{\mathbb{Z}}$ :  $T \approx +1$ .

$$T^4(x) = \dots 01000100110.0100101010010 \dots$$

▷  $S$  is a shift acting on  $\{0, 1\}^{\mathbb{Z}}$ :  $S \approx \times 2$ .

$$S^2(x) = \dots 00010001001.0010101001001 \dots$$



# Why a group action?

Let  $T, S$  be two homeomorphisms  $T : X \rightarrow X$  and  $S : X \rightarrow X$ .  
We are interested in the system where both  $S$  and  $T$  act over  $X$ .

▷  $T$  is an odometer acting on  $\{0, 1\}^{\mathbb{Z}}$ :  $T \approx +1$ .

$$T^4(x) = \dots 01000100110.0100101010010 \dots$$

▷  $S$  is a shift acting on  $\{0, 1\}^{\mathbb{Z}}$ :  $S \approx \times 2$ .

$$S^3(x) = \dots 00100010010.0101010010011 \dots$$

# Why a group action?

Let  $T, S$  be two homeomorphisms  $T : X \rightarrow X$  and  $S : X \rightarrow X$ .

We are interested in the system where both  $S$  and  $T$  act over  $X$ .

▷  $T$  is an odometer acting on  $\{0, 1\}^{\mathbb{Z}}$ :  $T \approx +1$ .

$$T^4(x) = \dots 01000100110.0100101010010 \dots$$

▷  $S$  is a shift acting on  $\{0, 1\}^{\mathbb{Z}}$ :  $S \approx \times 2$ .

$$S^4(x) = \dots 01000100100.1010100100110 \dots$$

# Why a group action?

Let  $T, S$  be two homeomorphisms  $T : X \rightarrow X$  and  $S : X \rightarrow X$ .  
We are interested in the system where both  $S$  and  $T$  act over  $X$ .

▷  $T$  is an odometer acting on  $\{0, 1\}^{\mathbb{Z}}$ :  $T \approx +1$ .

$$T^4(x) = \dots 01000100110.0100101010010 \dots$$

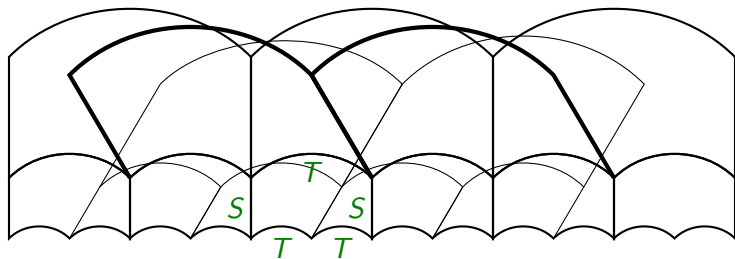
▷  $S$  is a shift acting on  $\{0, 1\}^{\mathbb{Z}}$ :  $S \approx \times 2$ .

$$S^4(x) = \dots 01000100100.1010100100110 \dots$$

$$2 \times (x + 1) = (2 \times x) + 2 \quad \rightsquigarrow \quad ST = T^2S$$

# Why a group action?

$$\langle S, T \mid ST = T^2S \rangle \cong BS(1, 2)$$



- ▶  $G$  is a finitely generated group.
- ▶  $\mathcal{A}$  is a finite alphabet. Ex:  $\mathcal{A} = \{0, 1\}$ .
- ▶  $\mathcal{A}^G$  is the set of configurations,  $x : G \rightarrow \mathcal{A}$
- ▶  $\sigma : G \times \mathcal{A}^G \rightarrow \mathcal{A}^G$  is the left shift action given by:

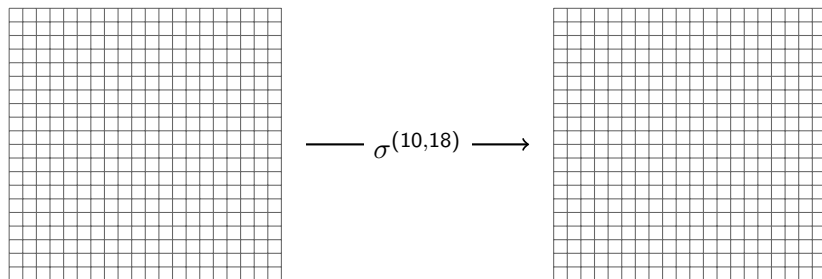
$$\sigma(h, x)_g := \sigma^h(x)_g = x_{h^{-1}g}.$$

- ▶  $G$  is a finitely generated group.
- ▶  $\mathcal{A}$  is a finite alphabet. Ex:  $\mathcal{A} = \{0, 1\}$ .
- ▶  $\mathcal{A}^G$  is the set of configurations,  $x : G \rightarrow \mathcal{A}$
- ▶  $\sigma : G \times \mathcal{A}^G \rightarrow \mathcal{A}^G$  is the left shift action given by:

$$\sigma(h, x)_g := \sigma^h(x)_g = x_{h^{-1}g}.$$

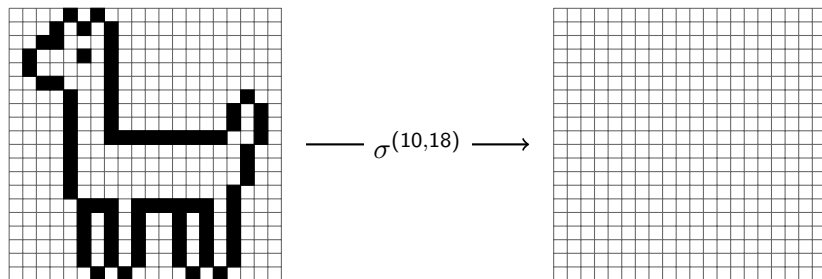
## Definition: full $G$ -shift

The pair  $(\mathcal{A}^G, \sigma)$  is called the *full  $G$ -shift*.



**Figure:** A random configuration  $x \in \{\blacksquare, \square\}^{\mathbb{Z}^2/20\mathbb{Z}^2}$  and its image by  $\sigma(10,18)$ .

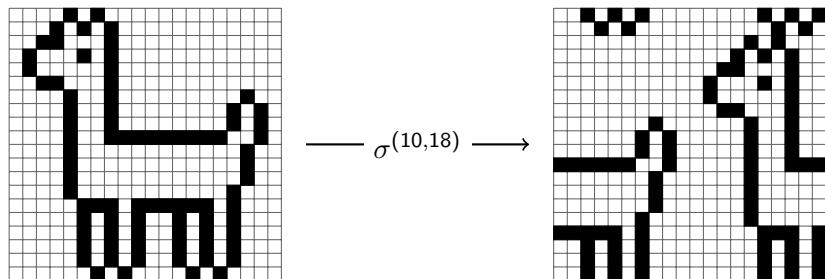
# Example



**Figure:** A random configuration  $x \in \{\blacksquare, \square\}^{\mathbb{Z}^2/20\mathbb{Z}^2}$  and its image by  $\sigma(10,18)$ .



# Example



**Figure:** A random configuration  $x \in \{\blacksquare, \square\}^{\mathbb{Z}^2/20\mathbb{Z}^2}$  and its image by  $\sigma(10,18)$ .

## Definition: subshift

$X \subset \mathcal{A}^G$  is a *subshift* or a *shift space* if and only if it is invariant under the action of  $\sigma$  and closed for the product topology on  $\mathcal{A}^G$ .

## Definition: subshift

$X \subset \mathcal{A}^G$  is a *subshift* or a *shift space* if and only if it is invariant under the action of  $\sigma$  and closed for the product topology on  $\mathcal{A}^G$ .

Luckily, these objects can also be described in a combinatorial way.

## Definition: subshift

$X \subset \mathcal{A}^G$  is a *subshift* or a *shift space* if and only if it is invariant under the action of  $\sigma$  and closed for the product topology on  $\mathcal{A}^G$ .

Luckily, these objects can also be described in a combinatorial way.

## Proposition

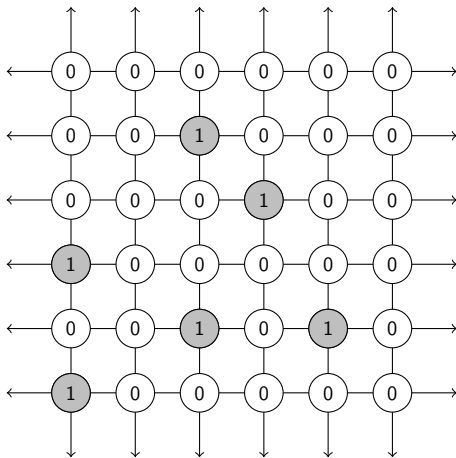
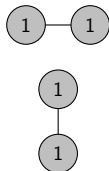
A subshift is a set of configurations avoiding patterns from a list  $\mathcal{F}$ .

$$p \in \mathcal{A}^S, \quad [p] = \{x \in \mathcal{A}^G \mid x|_S = p\}$$
$$X = X_{\mathcal{F}} = \mathcal{A}^G \setminus \bigcup_{g \in G, p \in \mathcal{F}} \sigma^g([p])$$

# Example in $\mathbb{Z}^2$ : Hard square shift

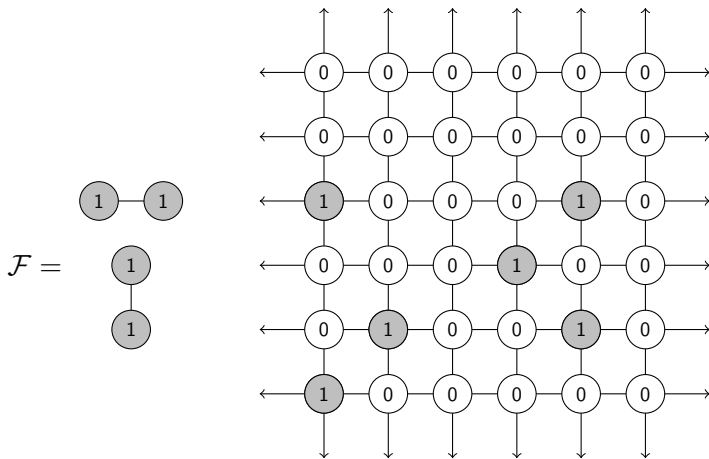
The set of assignments of  $\mathbb{Z}^2$  to  $\{0, 1\}$  such that there are no two adjacent ones.

$\mathcal{F} =$



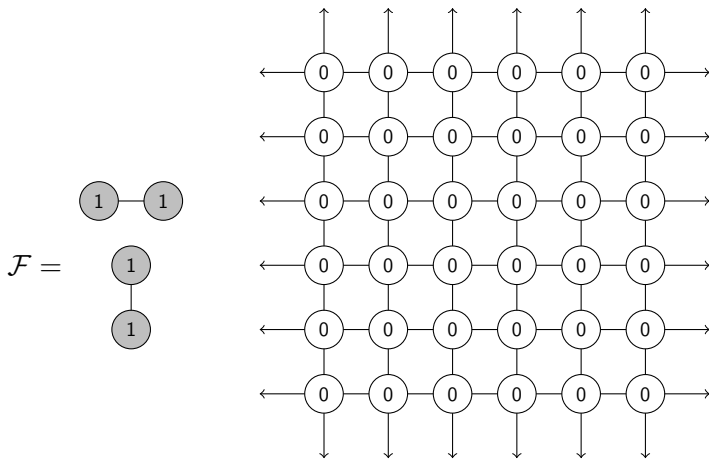
# Example in $\mathbb{Z}^2$ : Hard square shift

The set of assignments of  $\mathbb{Z}^2$  to  $\{0, 1\}$  such that there are no two adjacent ones.



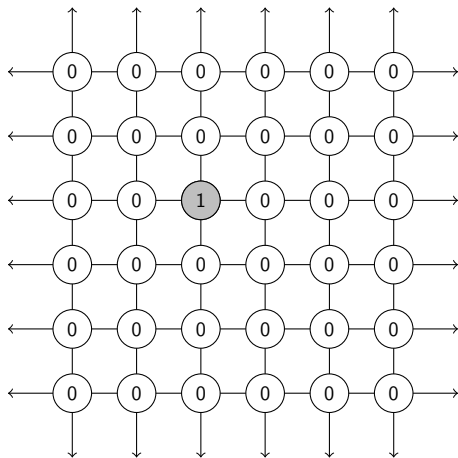
# Example in $\mathbb{Z}^2$ : Hard square shift

The set of assignments of  $\mathbb{Z}^2$  to  $\{0, 1\}$  such that there are no two adjacent ones.



## Example: one-or-less subshift

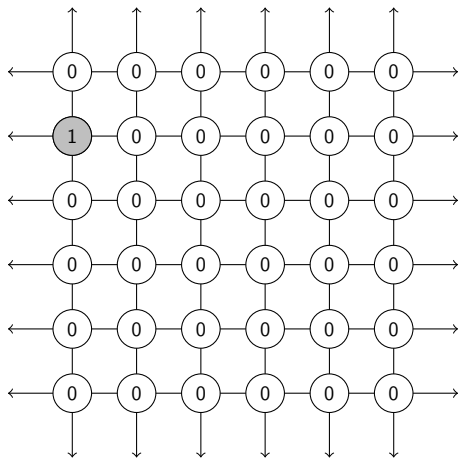
$$X_{\leq 1} := \{x \in \{0, 1\}^G \mid 0 \notin \{x_u, x_v\} \implies u = v\}.$$





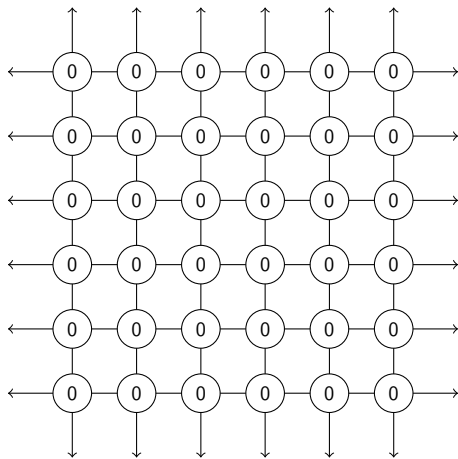
## Example: one-or-less subshift

$$X_{\leq 1} := \{x \in \{0, 1\}^G \mid 0 \notin \{x_u, x_v\} \implies u = v\}.$$

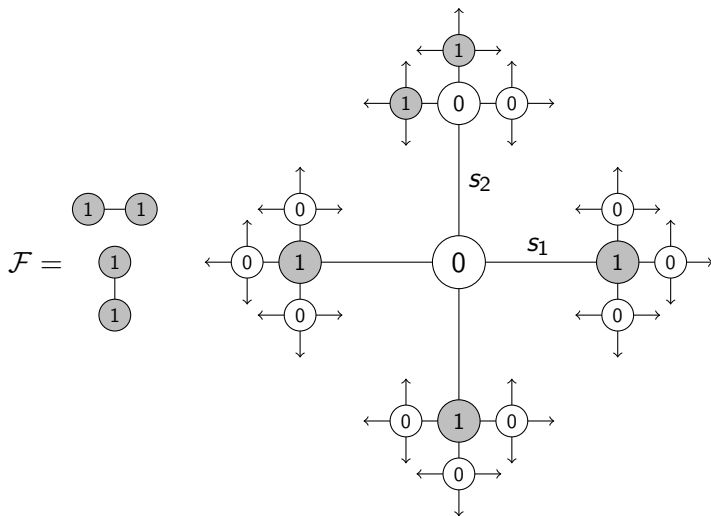


## Example: one-or-less subshift

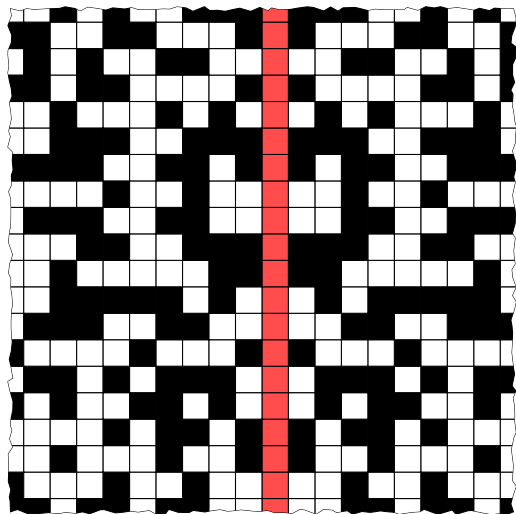
$$X_{\leq 1} := \{x \in \{0, 1\}^G \mid 0 \notin \{x_u, x_v\} \implies u = v\}.$$



# Example: Hard square in $F_2$ .



# Example: Mirror shift on $\mathbb{Z}^2$



## Classes of subshifts

A subshift  $X \subset \mathcal{A}^G$  is called:

- a *subshift of finite type (SFT)* if  $X = X_{\mathcal{F}}$  for some finite  $\mathcal{F}$ .  
**Ex: Hard square shift.**

## Classes of subshifts

A subshift  $X \subset \mathcal{A}^G$  is called:

- a *subshift of finite type (SFT)* if  $X = X_{\mathcal{F}}$  for some finite  $\mathcal{F}$ .  
**Ex: Hard square shift.**
- a *sofic subshift* if  $X$  is the image of an SFT by a topological factor (a local recoding). **Ex: One-or-less in  $\mathbb{Z}^2$ .**

## Classes of subshifts

A subshift  $X \subset \mathcal{A}^G$  is called:

- a *subshift of finite type (SFT)* if  $X = X_{\mathcal{F}}$  for some finite  $\mathcal{F}$ .  
**Ex: Hard square shift.**
- a *sofic subshift* if  $X$  is the image of an SFT by a topological factor (a local recoding). **Ex: One-or-less in  $\mathbb{Z}^2$ .**
- an *effectively closed subshift* if  $X$  can be defined by a recursively enumerable coding of a set of forbidden patterns.  
**Ex: Mirror shift in  $\mathbb{Z}^2$ .**

# Why computability and dynamics?

## Dynamical objects

▷ Expansivity, periodic points, aperiodicity, invariant measures, entropy, recurrence, mixing, minimality, etc.

## Computational objects

▷ Finite information, description by Turing machines, computability of invariants, domino problem, simulation, etc.



## Dynamical objects

▷ Expansivity, periodic points, aperiodicity, invariant measures, entropy, recurrence, mixing, minimality, etc.

## Computational objects

▷ Finite information, description by Turing machines, computability of invariants, domino problem, simulation, etc.

The purpose of my thesis is to study the **interplay between computability and dynamics in shift spaces in groups**.

## Some topics I worked on:

- Aperiodic subshifts (and SFTs) on groups.
- Realization of subshifts with uniform densities.
- Effectively closed subshifts, subactions and simulation theorems.
- Notions of computability for subshifts on groups.
- Computability in automorphism groups and the topological full group of a shift space.

## Some topics I worked on:

- (1) Aperiodic subshifts (and SFTs) on countable groups.
- Realization of subshifts with uniform densities.
- **(1) Effectively closed subshifts, subactions and simulation theorems.**
- Notions of computability for subshifts on groups.
- **(2) Computability in automorphism groups and the topological full group of a shift space.**

Subactions, effectiveness, simulation and aperiodicity.

## Definition

An action  $T : G \curvearrowright X$  is expansive if it separates distinct points.

There is  $C > 0, x \neq y \implies \exists g \in G, d(T^g(x), T^g(y)) > C$

## Definition

An action  $T : G \curvearrowright X$  is expansive if it separates distinct points.

There is  $C > 0, x \neq y \implies \exists g \in G, d(T^g(x), T^g(y)) > C$

## Odometers

Odometers are not expansive (the action is an isometry).

## Definition

An action  $T : G \curvearrowright X$  is expansive if it separates distinct points.

There is  $C > 0, x \neq y \implies \exists g \in G, d(T^g(x), T^g(y)) > C$

## Odometers

Odometers are not expansive (the action is an isometry).

## Shift spaces

Every shift space is expansive

If  $x \neq y$ , there is  $g \in G$  such that  $x_g \neq y_g$ . We have

$$\sigma^{g^{-1}}(x)|_{1_G} \neq \sigma^{g^{-1}}(y)|_{1_G}.$$

# What about the subactions of these classes?

Let  $X \subset \mathcal{A}^G$  be a subshift and  $H \leq_{\text{f.g.}} G$ .

- ▷ What can we say about the system  $(X, \sigma|_H)$ ?
- ▷ Same question when  $X$  is an SFT, sofic or effectively closed.

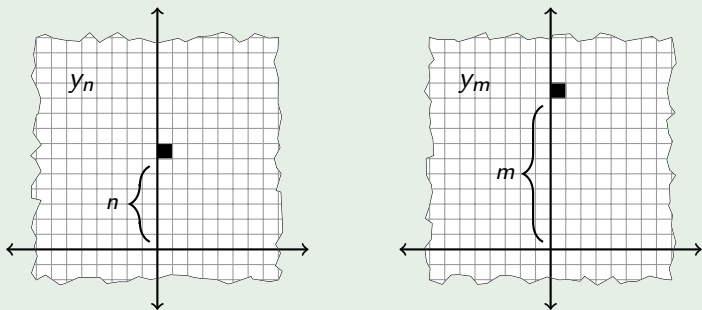


# What about the subactions of these classes?

Let  $X \subset \mathcal{A}^{\mathbb{Z}}$  be a subshift and  $H \leq_{\text{f.g.}} G$ .

- ▷ What can we say about the system  $(X, \sigma|_H)$ ?
- ▷ Same question when  $X$  is an SFT, sofic or effectively closed.

Remark: Subshifts are expansive, subactions not necessarily



$$\inf_{n \neq m} d(\text{Orb}_{\sigma|_{\mathbb{Z}}}(y_n), \text{Orb}_{\sigma|_{\mathbb{Z}}}(y_m)) = 0$$

## Question 1: which are the subactions?

### Effectively closed action

$T : G \curvearrowright X \subset \{0, 1\}^{\mathbb{N}}$  is *effectively closed* if it can be described by Turing machines:

# Question 1: which are the subactions?

## Effectively closed action

$T : G \curvearrowright X \subset \{0, 1\}^{\mathbb{N}}$  is *effectively closed* if it can be described by Turing machines:

- $X = \{0, 1\}^{\mathbb{N}} \setminus \bigcup_{w \in L} [w]$ ,  $L$  is recursively enumerable.
- There is a Turing machine which on entry  $s \in G$  and  $u \in \{0, 1\}^*$  enumerates the complement of  $T^s([u])$ .

# Question 1: which are the subactions?

## Effectively closed action

$T : G \curvearrowright X \subset \{0, 1\}^{\mathbb{N}}$  is *effectively closed* if it can be described by Turing machines:

- $X = \{0, 1\}^{\mathbb{N}} \setminus \bigcup_{w \in L} [w]$ ,  $L$  is recursively enumerable.
- There is a Turing machine which on entry  $s \in G$  and  $u \in \{0, 1\}^*$  enumerates the complement of  $T^s([u])$ .

Every subaction of an effectively closed subshift (also sofic/SFT) is effectively closed.

## Question 2: can we realize e.c.d.s ?

### Question

Given an effectively closed dynamical system. Can we realize it as a subaction of an SFT/sofic subshift?

## Question 2: can we realize e.c.d.s ?

### Question

Given an effectively closed dynamical system. Can we realize it as a subaction of an SFT/sofic subshift?

Before answering that question, let us motivate this kind of results:

# The philosophy behind it

## Finitely presented group

A group  $G$  is finitely presented if it can be described as  $G = \langle S | R \rangle$  where both  $S$  and  $R \subset (S \cup S^{-1})^*$  are finite.

$$\mathbb{Z}^2 \cong \langle a, b \mid aba^{-1}b^{-1} \rangle.$$

$$BS(1, 2) \cong \langle a, b \mid aba^{-2}b^{-1} \rangle.$$

# The philosophy behind it

## Finitely presented group

A group  $G$  is finitely presented if it can be described as  $G = \langle S | R \rangle$  where both  $S$  and  $R \subset (S \cup S^{-1})^*$  are finite.

$$\mathbb{Z}^2 \cong \langle a, b \mid aba^{-1}b^{-1} \rangle.$$

$$BS(1, 2) \cong \langle a, b \mid aba^{-2}b^{-1} \rangle.$$

## Recursively presented group

A group  $G$  is recursively presented if it can be described as  $G = \langle S | R \rangle$  where  $S \subset \mathbb{N}$  and  $R \subset (S \cup S^{-1})^*$  are recursive sets.

$$L \cong \langle a, t \mid (at^n at^{-n})^2, n \in \mathbb{N} \rangle.$$

$$\bigoplus_{i \in \mathbb{N}} (\mathbb{Z}/2\mathbb{Z}) \cong \langle \{a_n\}_{n \in \mathbb{N}} \mid \{a_n^2\}_{n \in \mathbb{N}} \cup \{a_j a_k a_j^{-1} a_k^{-1}\}_{j, k \in \mathbb{N}} \rangle.$$



## Theorem (Higman 1961)

*For every recursively presented group  $H$  there exists a finitely presented group  $G$  such that  $H$  embeds into  $G$ .*

## Theorem (Higman 1961)

*For every recursively presented group  $H$  there exists a finitely presented group  $G$  such that  $H$  embeds into  $G$ .*

“A complicated object is realized inside another object which admits a much simpler presentation.”

# The philosophy behind it

## Theorem (Higman 1961)

*For every recursively presented group  $H$  there exists a finitely presented group  $G$  such that  $H$  embeds into  $G$ .*

“A complicated object is realized inside another object which admits a much simpler presentation.”

**word problem:** is it algorithmically decidable if a word over a set of generators of a group represents the identity?

## Theorem: (Novikov 1955, Boone 1958)

There are finitely presented groups with undecidable word problem

# The philosophy behind it

## Theorem (Higman 1961)

*For every recursively presented group  $H$  there exists a finitely presented group  $G$  such that  $H$  embeds into  $G$ .*

“A complicated object is realized inside another object which admits a much simpler presentation.”

**word problem:** is it algorithmically decidable if a word over a set of generators of a group represents the identity?

## Theorem: (Novikov 1955, Boone 1958)

There are finitely presented groups with undecidable word problem

Just apply Higman's theorem to

$G = \langle a, b, c, d \mid b^{-n}ab^n = c^{-n}dc^n, n \in \text{HALT} \rangle \dots$  done!

# Two recent simulation results

## Theorem (Hochman 2009)

For every effectively closed action  $T : \mathbb{Z}^d \curvearrowright X \subset \{0,1\}^{\mathbb{N}}$  there exists a  $\mathbb{Z}^{d+2}$ -SFT  $\hat{X}$  such that one of its  $\mathbb{Z}^d$ -subactions is an extension of  $T$ .

$$\begin{array}{ccc} \mathbb{Z}^{d+2} & (\hat{X}, \sigma) & \\ & \downarrow \text{subaction} & \\ \mathbb{Z}^d & (\hat{X}, \sigma|_{\mathbb{Z}^d}) & \xrightarrow{\text{factor}} (X, T) \end{array}$$

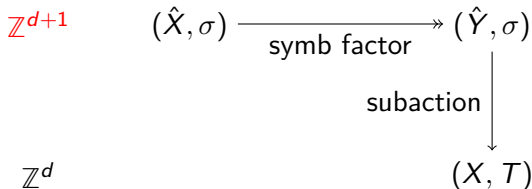
Moreover, the factor is small.

# Two recent simulation results

One can do better in the expansive case:

**Theorem (Aubrun-Sablik 2010, Durand-Romaschenko-Shen 2010)**

Every effectively closed  $\mathbb{Z}^d$ -subshift is the subaction (projective subaction) of a  $\mathbb{Z}^{d+1}$ -sofic subshift.



## Definition (Strongly aperiodic subshift)

A subshift  $X \subset \mathcal{A}^G$  is *strongly aperiodic* if the shift action is free

$$\forall x \in X, \forall g \in G, \sigma^g(x) = x \Rightarrow g = 1_G.$$

# An application: strongly aperiodic subshifts

## Definition (Strongly aperiodic subshift)

A subshift  $X \subset \mathcal{A}^G$  is *strongly aperiodic* if the shift action is free

$$\forall x \in X, \forall g \in G, \sigma^g(x) = x \Rightarrow g = 1_G.$$

## Proposition

Every 1D non-empty SFT contains a periodic configuration.



# An application: strongly aperiodic subshifts

## Definition (Strongly aperiodic subshift)

A subshift  $X \subset \mathcal{A}^G$  is *strongly aperiodic* if the shift action is free

$$\forall x \in X, \forall g \in G, \sigma^g(x) = x \Rightarrow g = 1_G.$$

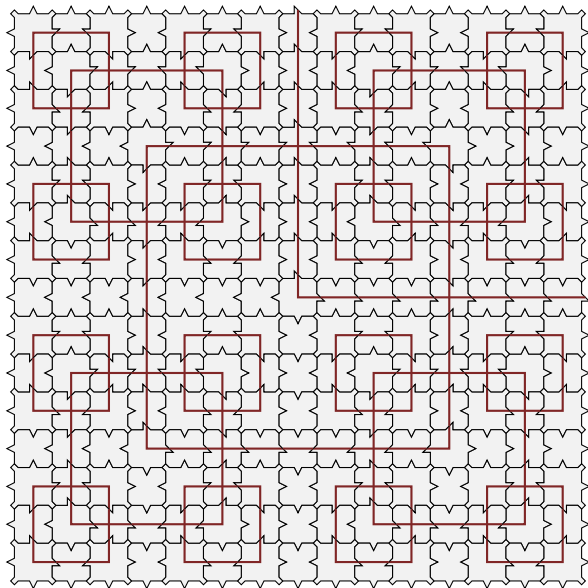
## Proposition

Every 1D non-empty SFT contains a periodic configuration.

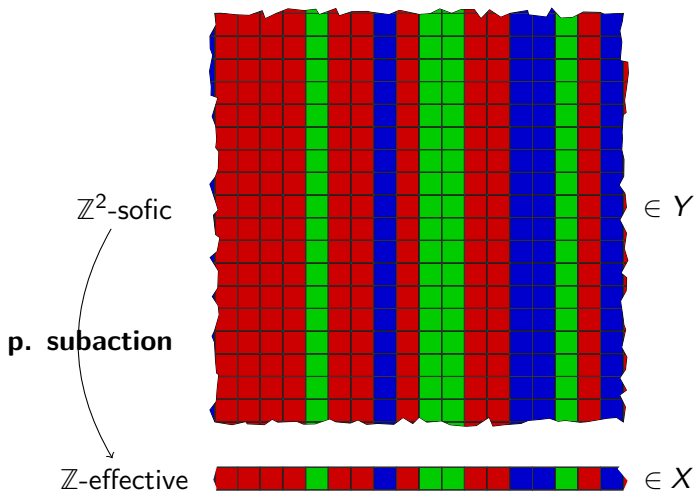
Theorem (Berger 1966, Robinson 1971, Kari 1996, Jeandel-Rao 2015)

There exist strongly aperiodic SFTs on  $\mathbb{Z}^2$ .

# Example of strongly aperiodic $\mathbb{Z}^2$ -SFT: Robinson tileset



# Simulation in the case of subshifts



## So... why is simulation important?

It is complicated to come up with  $\mathbb{Z}^2$ -SFTs which are strongly aperiodic, however, finding a  $\mathbb{Z}$ -effectively closed subshift which is aperiodic is easy.

## So... why is simulation important?

It is complicated to come up with  $\mathbb{Z}^2$ -SFTs which are strongly aperiodic, however, finding a  $\mathbb{Z}$ -effectively closed subshift which is aperiodic is easy.

### Example

Let  $x$  be a fixed point of the Thue-Morse substitution.

$$0 \rightarrow 01 \rightarrow 0110 \rightarrow 01101001 \rightarrow 0110100110010110 \rightarrow \dots$$

Then  $X = \overline{\text{Orb}_\sigma(x)}$  is strongly aperiodic and effectively closed.

## So... why is simulation important?

It is complicated to come up with  $\mathbb{Z}^2$ -SFTs which are strongly aperiodic, however, finding a  $\mathbb{Z}$ -effectively closed subshift which is aperiodic is easy.

### Example

Let  $x$  be a fixed point of the Thue-Morse substitution.

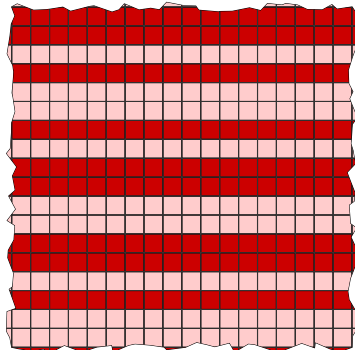
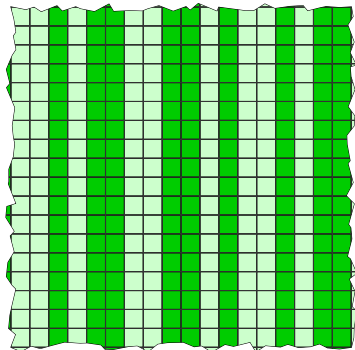
$$0 \rightarrow 01 \rightarrow 0110 \rightarrow 01101001 \rightarrow 0110100110010110 \rightarrow \dots$$

Then  $X = \overline{\text{Orb}_\sigma(x)}$  is strongly aperiodic and effectively closed.

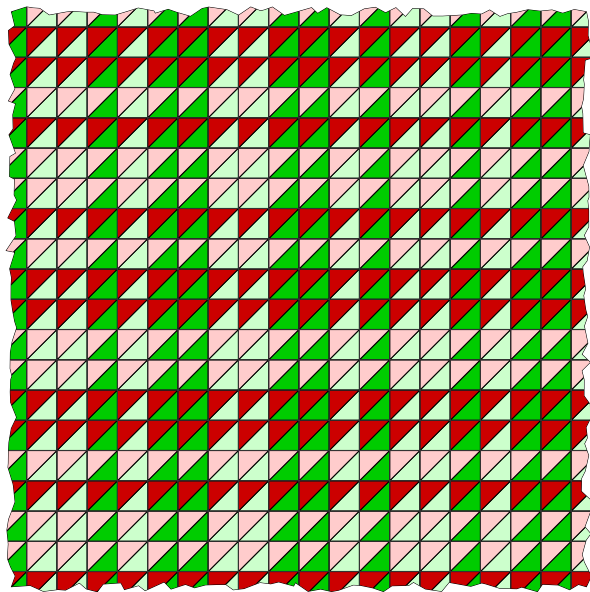
### Example

A Sturmian subshift defined by an irrational computable slope  $\alpha$ .

# So... why is simulation important?



# So... why is simulation important?





## Examples

- ▶ Easy construction of strongly aperiodic  $\mathbb{Z}^2$ -SFTs

## Examples

- ▶ Easy construction of strongly aperiodic  $\mathbb{Z}^2$ -SFTs
- ▶  $\mathbb{Z}^2$ -SFTs with no computable configurations (Original result by Hanf-Myers 1974)

## Examples

- ▶ Easy construction of strongly aperiodic  $\mathbb{Z}^2$ -SFTs
- ▶  $\mathbb{Z}^2$ -SFTs with no computable configurations (Original result by Hanf-Myers 1974)
- ▶ Classifying the entropies of  $\mathbb{Z}^2$ -SFTs (Original result by Hochman-Meyerovitch 2010)

What if we were able to do this in general groups?

## Two new results in general groups

Let  $T : G \curvearrowright X \subset \{0,1\}^{\mathbb{N}}$  be an effectively closed action of a finitely generated group.

**Theorem (B-Sablik, 2016)**

*For any semidirect product  $\mathbb{Z}^2 \rtimes G$  there exists a  $\mathbb{Z}^2 \rtimes G$ -SFT such that its  $G$ -subaction is an extension of  $T$ .*

## Two new results in general groups

Let  $T : G \curvearrowright X \subset \{0, 1\}^{\mathbb{N}}$  be an effectively closed action of a finitely generated group.

### Theorem (B-Sablik, 2016)

*For any semidirect product  $\mathbb{Z}^2 \rtimes G$  there exists a  $\mathbb{Z}^2 \rtimes G$ -SFT such that its  $G$ -subaction is an extension of  $T$ .*

### Theorem (B, 2017)

*For any pair of infinite and finitely generated groups  $H_1, H_2$  there exists a  $(G \times H_1 \times H_2)$ -SFT such that its  $G$ -subaction is an extension of  $T$ .*

# Strongly aperiodic SFTs in these groups.

We want to go ahead and use the simulation theorems to produce strongly aperiodic SFTs, but...

We want to go ahead and use the simulation theorems to produce strongly aperiodic SFTs, but...

## Question

- For which groups can I find an effectively closed strongly aperiodic subshift?

# Strongly aperiodic SFTs in these groups.

We want to go ahead and use the simulation theorems to produce strongly aperiodic SFTs, but...

## Question

- For which groups can I find an effectively closed strongly aperiodic subshift?

In fact...

## Question by Glasner and Uspenskij 2009

- Is there a countable group which admits no aperiodic subshifts over the alphabet  $\mathcal{A} = \{0, 1\}$ ?



# Strongly aperiodic subshifts?

Question by Glasner and Uspenskij 2009

Is there a countable group which admits no aperiodic subshifts over the alphabet  $\mathcal{A} = \{0, 1\}$ ?

# Strongly aperiodic subshifts?

Question by Glasner and Uspenskij 2009

Is there a countable group which admits no aperiodic subshifts over the alphabet  $\mathcal{A} = \{0, 1\}$ ?

Theorem (Gao-Jackson-Seward, 2009)

*No! All do.*

And the proof is a little bit technical.

# Strongly aperiodic subshifts?

Question by Glasner and Uspenskij 2009

Is there a countable group which admits no aperiodic subshifts over the alphabet  $\mathcal{A} = \{0, 1\}$ ?

Theorem (Gao-Jackson-Seward, 2009)

*No! All do.*

And the proof is a little bit technical.

Theorem (Aubrun-B-Thomassé, 2015)

*No! All do.*

But the proof is much shorter, moreover, the construction is effective for groups with decidable word problem. It is based on a probabilistic argument using Lovász local lemma.

# Strongly aperiodic subshifts?

Moreover, a recent result by Jeandel states:

**Theorem (Jeandel, 2015)**

*Let  $G$  be a recursively presented group. If  $G$  admits an effectively closed strongly aperiodic subshift then its word problem is decidable.*

# Strongly aperiodic subshifts?

Moreover, a recent result by Jeandel states:

## Theorem (Jeandel, 2015)

*Let  $G$  be a recursively presented group. If  $G$  admits an effectively closed strongly aperiodic subshift then its word problem is decidable.*

With our result we can write:

## Theorem (Aubrun-B-Thomassé, 2015)

*Let  $G$  be a recursively presented group.  $G$  admits an effectively closed strongly aperiodic subshift if and only if its word problem is decidable.*

## Theorem (B-Sablik, 2016)

*If  $G$  is finitely generated, has decidable word problem and  $d > 1$ .  
Then any group of the form  $\mathbb{Z}^d \rtimes_{\varphi} G$  admits a SA SFT.*

**Ex: The discrete Heisenberg group.**

## Theorem (B-Sablik, 2016)

*If  $G$  is finitely generated, has decidable word problem and  $d > 1$ .  
Then any group of the form  $\mathbb{Z}^d \rtimes_{\varphi} G$  admits a SA SFT.*

**Ex: The discrete Heisenberg group.**

## Theorem (B, 2017)

*If  $G_i$  are at least three infinite and finitely generated groups with decidable word problem. Then  $G_1 \times \cdots \times G_n$  admits a SA SFT.*

**Ex: (not an obvious corollary) The Grigorchuk group.**

# A negative result

Recall the subshift:

$$X_{\leq 1} = \{x \in \{0, 1\}^G \mid 0 \notin \{x_g, x_h\} \implies g = h\}$$

configurations  $x \in X_{\leq 1}$  have at most one occurrence of 1.



# A negative result

Recall the subshift:

$$X_{\leq 1} = \{x \in \{0, 1\}^G \mid 0 \notin \{x_g, x_h\} \implies g = h\}$$

configurations  $x \in X_{\leq 1}$  have at most one occurrence of 1.

**Theorem (Aubrun-B-Sablik 2015)**

*If  $G$  is finitely generated and recursively presented, then  $X_{\leq 1}$  is effectively closed if and only if  $G$  has decidable word problem.*

In particular, there are groups for which  $X_{\leq 1}$  is not even conjugate to the subaction of an effectively closed subshift.

# Computability in group invariants of shift spaces

Given a subshift  $(X, \sigma)$ , its automorphism group is given by

$$\text{Aut}(X) = \{\phi : X \rightarrow X \text{ homeomorphism, } [\sigma, \phi] = \text{id}\}$$

# Motivation

Given a subshift  $(X, \sigma)$ , its automorphism group is given by

$$\text{Aut}(X) = \{\phi : X \rightarrow X \text{ homeomorphism, } [\sigma, \phi] = \text{id}\}$$

▷  $\text{Aut}(\mathcal{A}^{\mathbb{G}})$  is the group of reversible cellular automata.

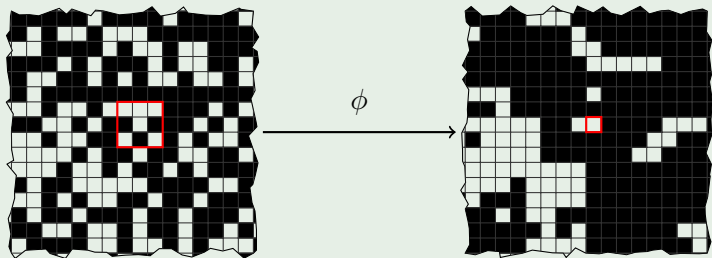
# Motivation

Given a subshift  $(X, \sigma)$ , its automorphism group is given by

$$\text{Aut}(X) = \{\phi : X \rightarrow X \text{ homeomorphism, } [\sigma, \phi] = \text{id}\}$$

▷  $\text{Aut}(\mathcal{A}^{\mathbb{G}})$  is the group of reversible cellular automata.

Example and non-example.



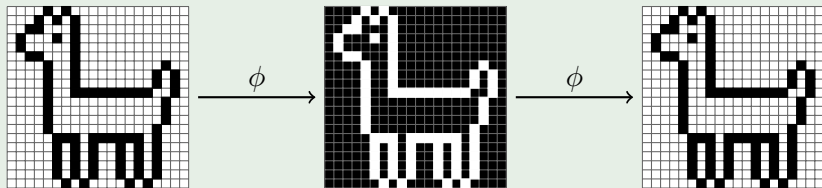
# Motivation

Given a subshift  $(X, \sigma)$ , its automorphism group is given by

$$\text{Aut}(X) = \{\phi : X \rightarrow X \text{ homeomorphism, } [\sigma, \phi] = \text{id}\}$$

▷  $\text{Aut}(\mathcal{A}^{\mathbb{G}})$  is the group of reversible cellular automata.

Example and non-example.



The topological fullgroup of a dynamical system  $(X, T)$  where  $T : G \curvearrowright X$  is

$$[[T]] = \{\phi \in \text{Homeo}(X) \mid \exists s : X \rightarrow G \text{ continuous, } \phi(x) = T^{s(x)}(x)\}.$$

The topological fullgroup of a dynamical system  $(X, T)$  where  $T : G \curvearrowright X$  is

$$[[T]] = \{\phi \in \text{Homeo}(X) \mid \exists s : X \rightarrow G \text{ continuous, } \phi(x) = T^{s(x)}(x)\}.$$

This group is the restriction of a larger group introduced as an invariant of orbit equivalence.



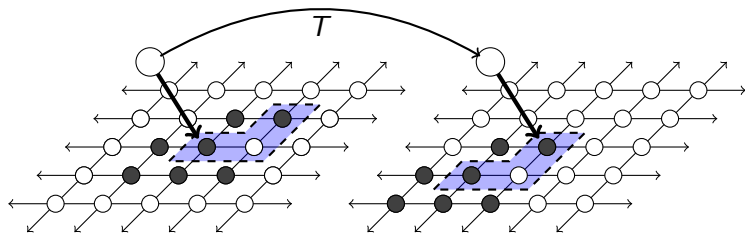
The topological fullgroup of a dynamical system  $(X, T)$  where  $T : G \curvearrowright X$  is

$$[[T]] = \{\phi \in \text{Homeo}(X) \mid \exists s : X \rightarrow G \text{ continuous, } \phi(x) = T^{s(x)}(x)\}.$$

This group is the restriction of a larger group introduced as an invariant of orbit equivalence.

In the case of a subshift it can be interpreted as a group of abstract Turing machines which are globally reversible and do not change the tape.

# Motivation



$$s(\bullet \circ) = (1, 1)$$

It might be a good idea to understand these groups from a computability point of view:

## Definition (three problems)

Let  $G = \langle S \mid R \rangle$  be a finitely generated group.

- **Word problem:** Given  $w \in S^*$ , is  $w$  the identity of the group?
- **Torsion problem:** Given  $w \in S^*$ , is there  $n \in \mathbb{N}$  such that  $w^n$  is the identity of the group?
- **Finiteness problem:** Given  $w_1, \dots, w_k \in S^*$ , is the group generated by them finite?

It might be a good idea to understand these groups from a computability point of view:

## Definition (three problems)

Let  $G = \langle S \mid R \rangle$  be a finitely generated group.

- **Word problem:** Given  $w \in S^*$ , is  $w$  the identity of the group?
- **Torsion problem:** Given  $w \in S^*$ , is there  $n \in \mathbb{N}$  such that  $w^n$  is the identity of the group?
- **Finiteness problem:** Given  $w_1, \dots, w_k \in S^*$ , is the group generated by them finite?

The real problem is that  $[[\sigma]]$  and  $\text{Aut}(X)$  in general are not finitely generated...

▷  $K \subset \mathbb{N}$  be r.e. but undecidable.

**Example 1:** decidability depends on the presentation.

$$\begin{aligned} G &\cong \langle \{a_n\}_{n \in \mathbb{N}} \mid \{[a_n, a_m]\}_{n, m \in \mathbb{N}} \cup \{(a_k)^2\}_{k \in K} \rangle \\ &\cong \langle \{b_n\}_{n \in \mathbb{N}} \mid \{[b_n, b_m]\}_{n, m \in \mathbb{N}} \cup \{(b_\ell)^2\}_{\ell \text{ is even}} \rangle. \end{aligned}$$

▷  $K \subset \mathbb{N}$  be r.e. but undecidable.

**Example 1:** decidability depends on the presentation.

$$\begin{aligned} G &\cong \langle \{a_n\}_{n \in \mathbb{N}} \mid \{[a_n, a_m]\}_{n, m \in \mathbb{N}} \cup \{(a_k)^2\}_{k \in K} \rangle \\ &\cong \langle \{b_n\}_{n \in \mathbb{N}} \mid \{[b_n, b_m]\}_{n, m \in \mathbb{N}} \cup \{(b_\ell)^2\}_{\ell \text{ is even}} \rangle. \end{aligned}$$

**Example 2:** No presentation with decidable WP, all f.g. subgroups have decidable WP.

▷  $\{p_n\}_{n \in \mathbb{N}} = \text{primes } 1 \pmod{4}$ .

▷  $\{q_n\}_{n \in \mathbb{N}} = \text{primes } 3 \pmod{4}$ .

$$G = \langle \{a_n\}_{n \in \mathbb{N}} \mid \{[a_n, a_m], (a_n)^{p_n q_n}\}_{n, m \in \mathbb{N}} \cup \{(a_k)^{p_k}\}_{k \in K} \rangle.$$

## Theorem (B-Kari-Salo, 2016)

*For any finite alphabet  $A$  with at least two symbols,  $\text{Aut}(A^{\mathbb{Z}})$  contains a finitely generated subgroup with undecidable torsion problem.*

## Theorem (B-Kari-Salo, 2016)

*For any finite alphabet  $A$  with at least two symbols,  $\text{Aut}(A^{\mathbb{Z}})$  contains a finitely generated subgroup with undecidable torsion problem.*

## Theorem (B-Kari-Salo, 2016)

*The same is true for the topological full group of  $(A^{\mathbb{Z}^d}, \sigma)$  if and only if  $d \geq 2$ .*



## Short and middle term

- Simulation theorem  $G \times \mathbb{Z}$  or  $G \times H$  for expansive actions.
- Strongly aperiodic subshifts in products  $G_1 \times G_2$ ? (with  $WP(G_i)$  decidable)
- Minimal effectively closed strongly aperiodic subshifts?
- Other applications: entropies of SFTs, realize mixing conditions, etc.
- Study unavoidable sets of patterns.
- Dynamical proof of Higman's theorem.

## Long term (related to this talk)

- Characterize the groups which admit strongly aperiodic SFTs.
- Characterize the entropies of SFTs on f.g. groups (amenable... or maybe sofic).

## Long term (unrelated to this talk)

- The equal entropy SFT cover problem.
- Domino problem for f.g. groups
- Better understand conjugacy of automorphism groups: the  $\text{Aut}(\{0, 1\}^{\mathbb{Z}})$  vs  $\text{Aut}(\{0, 1, 2\}^{\mathbb{Z}})$  problem.

Thank you for your attention!

Merci pour votre attention !

¡Gracias por su atención!

