

A strongly aperiodic SFT in the Grigorchuk group.

Sebastián **Barbieri Lemp**

University of British Columbia

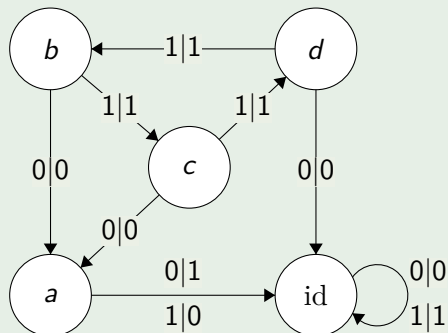
Algorithmic questions in dynamical systems

Toulouse

April, 2018

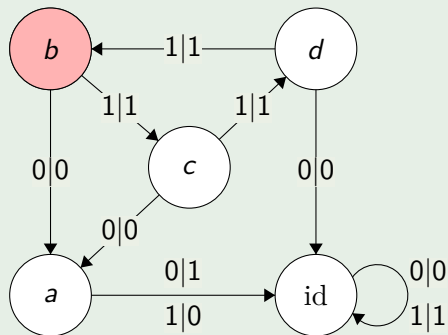
The Grigorchuk group

Generated by a, b, c, d acting over $\{0, 1\}^{\mathbb{N}}$.



The Grigorchuk group

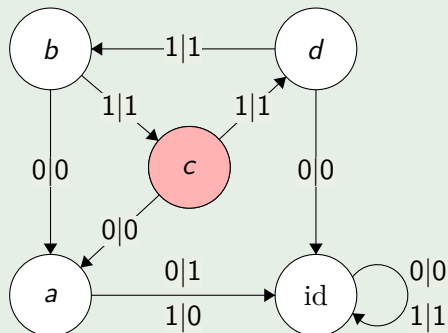
Generated by a, b, c, d acting over $\{0, 1\}^{\mathbb{N}}$.



$$\begin{array}{rcccccccc} x = & 1 & 1 & 1 & 0 & 1 & 0 & 0 & \dots \\ \downarrow & & & & & & & & \\ b(x) = & & b & & & & & & \dots \end{array}$$

The Grigorchuk group

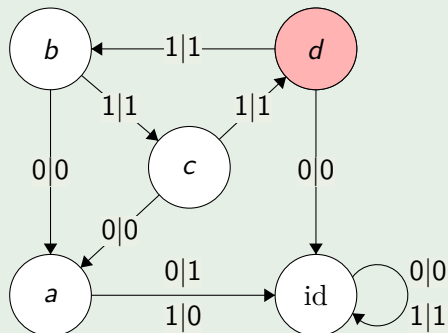
Generated by a, b, c, d acting over $\{0, 1\}^{\mathbb{N}}$.



$$\begin{array}{rcccccccc} x = & 1 & 1 & 1 & 0 & 1 & 0 & 0 & \dots \\ \downarrow & & & & & & & & \\ b(x) = & 1 & c & & & & & & \dots \end{array}$$

The Grigorchuk group

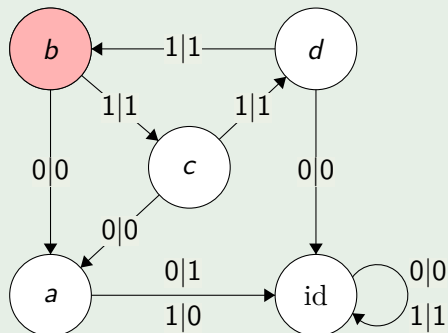
Generated by a, b, c, d acting over $\{0, 1\}^{\mathbb{N}}$.



$$\begin{array}{rcccccccc} x = & 1 & 1 & 1 & 0 & 1 & 0 & 0 & \dots \\ \downarrow & & & & & & & & \\ b(x) = & 1 & 1 & & & & & & \dots \end{array}$$

The Grigorchuk group

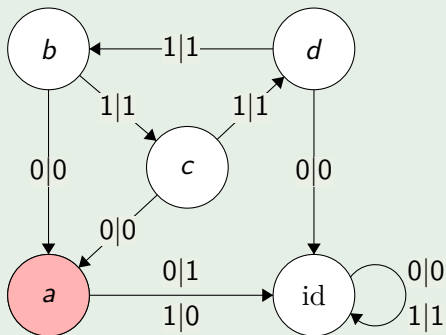
Generated by a, b, c, d acting over $\{0, 1\}^{\mathbb{N}}$.



$$\begin{array}{rcccccccc} x = & 1 & 1 & 1 & 0 & 1 & 0 & 0 & \dots \\ \downarrow & & & & & & & & \\ b(x) = & 1 & 1 & 1 & & & & & \dots \end{array}$$

The Grigorchuk group

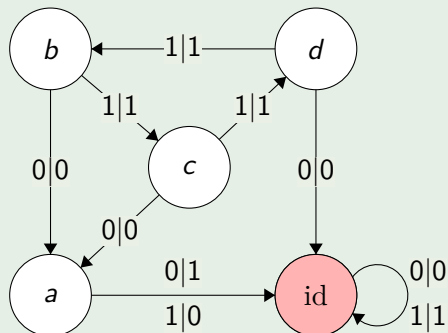
Generated by a, b, c, d acting over $\{0, 1\}^{\mathbb{N}}$.



$$\begin{array}{rcccccccc} x = & 1 & 1 & 1 & 0 & 1 & 0 & 0 & \dots \\ \downarrow & & & & & & & & \\ b(x) = & 1 & 1 & 1 & 0 & & & & \dots \end{array}$$

The Grigorchuk group

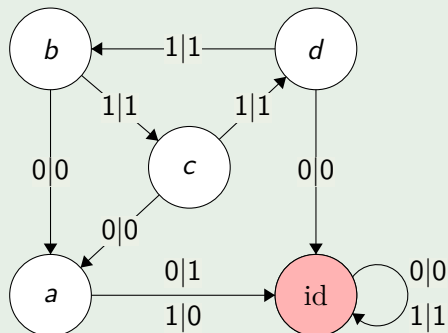
Generated by a, b, c, d acting over $\{0, 1\}^{\mathbb{N}}$.



$$\begin{array}{rcccccccc} x = & 1 & 1 & 1 & 0 & 1 & 0 & 0 & \dots \\ \downarrow & & & & & & & & \\ b(x) = & b & c & d & b & a & id & & \\ & 1 & 1 & 1 & 0 & 0 & & & \dots \end{array}$$

The Grigorchuk group

Generated by a, b, c, d acting over $\{0, 1\}^{\mathbb{N}}$.



$x =$	1	1	1	0	1	0	0	...
\downarrow	b	c	d	b	a	id	id	
$b(x) =$	1	1	1	0	0	0	0	...

What about the Grigorchuk group?

- a, b, c, d are involutions.
- Infinite and finitely generated.
- It contains no copy of \mathbb{Z} as a subgroup. For every $g \in G$, there is $n \in \mathbb{N}$ such that $g^n = 1_G$.
- Decidable word (and conjugacy) problem.
- It has intermediate growth.
- Amenable but not elementary amenable.
- It is commensurable to its square. ie: G and $G \times G$ have an isomorphic finite index subgroup.

What about the Grigorchuk group?

- a, b, c, d are involutions.
- Infinite and finitely generated.
- It contains no copy of \mathbb{Z} as a subgroup. For every $g \in G$, there is $n \in \mathbb{N}$ such that $g^n = 1_G$.
- Decidable word (and conjugacy) problem.
- It has intermediate growth.
- Amenable but not elementary amenable.
- It is commensurable to its square. ie: G and $G \times G$ have an isomorphic finite index subgroup.

The goal of this talk is to construct a strongly aperiodic SFT here.

- ▶ G is a finitely generated group.
- ▶ \mathcal{A} is a finite alphabet. Ex: $\mathcal{A} = \{0, 1\}$.
- ▶ \mathcal{A}^G is the set of configurations, $x : G \rightarrow \mathcal{A}$
- ▶ $G \curvearrowright \mathcal{A}^G$ is the left shift action given by:

$$(gx)(h) := x(g^{-1}h).$$

- ▶ G is a finitely generated group.
- ▶ \mathcal{A} is a finite alphabet. Ex: $\mathcal{A} = \{0, 1\}$.
- ▶ \mathcal{A}^G is the set of configurations, $x : G \rightarrow \mathcal{A}$
- ▶ $G \curvearrowright \mathcal{A}^G$ is the left shift action given by:

$$(gx)(h) := x(g^{-1}h).$$

Definition: subshift

A closed and shift-invariant set $X \subset \mathcal{A}^G$ is called a *subshift*.

- ▶ G is a finitely generated group.
- ▶ \mathcal{A} is a finite alphabet. Ex: $\mathcal{A} = \{0, 1\}$.
- ▶ \mathcal{A}^G is the set of configurations, $x : G \rightarrow \mathcal{A}$
- ▶ $G \curvearrowright \mathcal{A}^G$ is the left shift action given by:

$$(gx)(h) := x(g^{-1}h).$$

Definition: subshift

A closed and shift-invariant set $X \subset \mathcal{A}^G$ is called a *subshift*.

A subshift is a set of configurations avoiding patterns from a list \mathcal{F} .

$$p \in \mathcal{A}^S, \quad [p] = \{x \in \mathcal{A}^G \mid x|_S = p\}$$

$$X = X_{\mathcal{F}} = \mathcal{A}^G \setminus \bigcup_{g \in G, p \in \mathcal{F}} g([p])$$

Classes of subshifts

A subshift $X \subset \mathcal{A}^G$ is called:

- a *subshift of finite type (SFT)* if $X = X_{\mathcal{F}}$ for some finite \mathcal{F} .

Classes of subshifts

A subshift $X \subset \mathcal{A}^G$ is called:

- a *subshift of finite type (SFT)* if $X = X_{\mathcal{F}}$ for some finite \mathcal{F} .
- a *sofic subshift* if X is the image of an SFT by a topological factor (a local recoding).

Classes of subshifts

A subshift $X \subset \mathcal{A}^G$ is called:

- a *subshift of finite type (SFT)* if $X = X_{\mathcal{F}}$ for some finite \mathcal{F} .
- a *sofic subshift* if X is the image of an SFT by a topological factor (a local recoding).
- an *effectively closed subshift* if X can be defined by a recursively enumerable coding of a set of forbidden patterns.

Classes of subshifts

A subshift $X \subset \mathcal{A}^G$ is called:

- a *subshift of finite type (SFT)* if $X = X_{\mathcal{F}}$ for some finite \mathcal{F} .
- a *sofic subshift* if X is the image of an SFT by a topological factor (a local recoding).
- an *effectively closed subshift* if X can be defined by a recursively enumerable coding of a set of forbidden patterns.

Strongly aperiodic

A subshift $X \subset \mathcal{A}^G$ is *strongly aperiodic* if the shift action is free.

$$\forall x \in X, gx = x \implies g = 1_G.$$

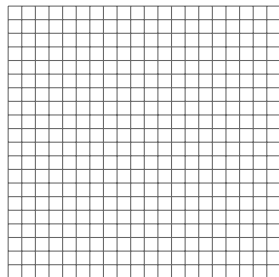
Question

Which groups admit strongly aperiodic SFTs?

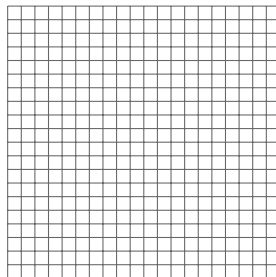
Question

Which groups admit strongly aperiodic SFTs?

Baby (alpaca) example: Let $G = \mathbb{Z}^2/20\mathbb{Z}^2$



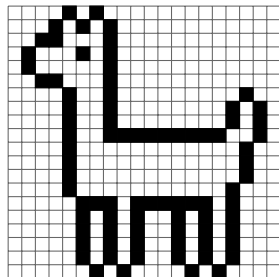
$\longrightarrow \sigma(10,18) \longrightarrow$



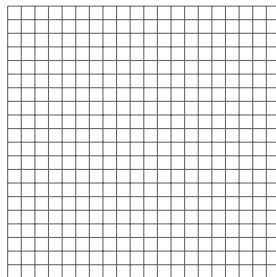
Question

Which groups admit strongly aperiodic SFTs?

Baby (alpaca) example: Let $G = \mathbb{Z}^2/20\mathbb{Z}^2$



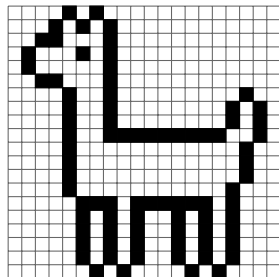
— $\sigma_{(10,18)}$ —→



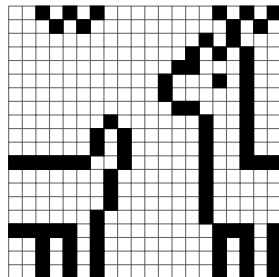
Question

Which groups admit strongly aperiodic SFTs?

Baby (alpaca) example: Let $G = \mathbb{Z}^2/20\mathbb{Z}^2$



$\xrightarrow{\sigma(10,18)}$



Proposition

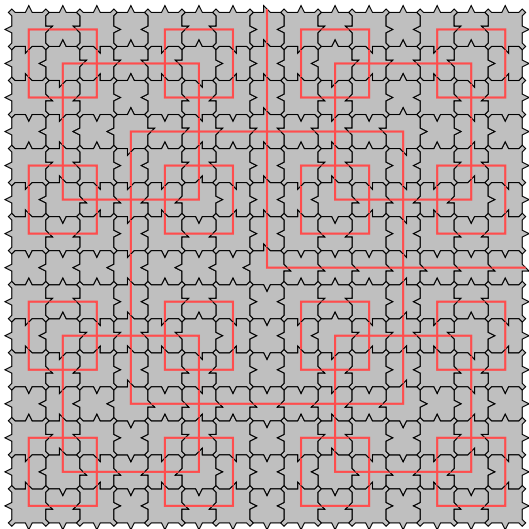
Every non-empty \mathbb{Z} -SFT contains a periodic configuration.

Proposition

Every non-empty \mathbb{Z} -SFT contains a periodic configuration.

Theorem (Berger 1966, Robinson 1971, Kari 1996, Jeandel & Rao 2015)

There exist strongly aperiodic SFTs on \mathbb{Z}^2 .



what's known? are there any SA SFTs?

result: **nay!**

what's known? are there any SA SFTs?

result: **nay!**

- (Jeandel '15) If G is recursively presented and has undecidable word problem.

what's known? are there any SA SFTs?

result: **nay!**

- (Jeandel '15) If G is recursively presented and has undecidable word problem.
- (Cohen '15) If G has two or more ends.

what's known? are there any SA SFTs?

result: **nay!**

- (Jeandel '15) If G is recursively presented and has undecidable word problem.
- (Cohen '15) If G has two or more ends.

result: **aye!**

- (Folklore) \mathbb{Z}^d for $d > 1$.

what's known? are there any SA SFTs?

result: **nay!**

- (Jeandel '15) If G is recursively presented and has undecidable word problem.
- (Cohen '15) If G has two or more ends.

result: **aye!**

- (Folklore) \mathbb{Z}^d for $d > 1$.
- (Şahin, Schraudner, Ugarcovici, '+∞ ['14]) The discrete Heisenberg group.

what's known? are there any SA SFTs?

result: **nay!**

- (Jeandel '15) If G is recursively presented and has undecidable word problem.
- (Cohen '15) If G has two or more ends.

result: **aye!**

- (Folklore) \mathbb{Z}^d for $d > 1$.
- (Şahin, Schraudner, Ugarcovici, '+∞ ['14]) The discrete Heisenberg group.
- (Cohen, Goodman-Strauss, '15) Surface groups.

what's known? are there any SA SFTs?

result: **nay!**

- (Jeandel '15) If G is recursively presented and has undecidable word problem.
- (Cohen '15) If G has two or more ends.

result: **aye!**

- (Folklore) \mathbb{Z}^d for $d > 1$.
- (Şahin, Schraudner, Ugarcovici, '+∞ ['14]) The discrete Heisenberg group.
- (Cohen, Goodman-Strauss, '15) Surface groups.
- (Cohen, Goodman-Strauss, Rieck, '17) One-ended Gromov-hyperbolic groups.

what's known? are there any SA SFTs?

result: **nay!**

- (Jeandel '15) If G is recursively presented and has undecidable word problem.
- (Cohen '15) If G has two or more ends.

result: **aye!**

- (Folklore) \mathbb{Z}^d for $d > 1$.
- (Şahin, Schraudner, Ugarcovici, '+∞ [14]) The discrete Heisenberg group.
- (Cohen, Goodman-Strauss, '15) Surface groups.
- (Cohen, Goodman-Strauss, Rieck, '17) One-ended Gromov-hyperbolic groups.
- (B, Sablik, '18+ [16]) Groups of the form $\mathbb{Z}^d \rtimes_{\varphi} G$ with $d > 1$, G f.g. and decidable word problem.

what's known? are there any SA SFTs?

result: **nay!**

- (Jeandel '15) If G is recursively presented and has undecidable word problem.
- (Cohen '15) If G has two or more ends.

result: **aye!**

- (Folklore) \mathbb{Z}^d for $d > 1$.
- (Şahin, Schraudner, Ugarcovici, '+∞ [14]) The discrete Heisenberg group.
- (Cohen, Goodman-Strauss, '15) Surface groups.
- (Cohen, Goodman-Strauss, Rieck, '17) One-ended Gromov-hyperbolic groups.
- (B, Sablik, '18+ [16]) Groups of the form $\mathbb{Z}^d \rtimes_{\varphi} G$ with $d > 1$, G f.g. and decidable word problem.
- (Jeandel, '16) f.g. polycyclic groups which are not virtually \mathbb{Z} .

What about the Grigorchuk group?

All groups here are infinite, finitely generated and have decidable word problem.

∃ SA SFTs in the Grigorchuk group

What about the Grigorchuk group?

All groups here are infinite, finitely generated and have decidable word problem.

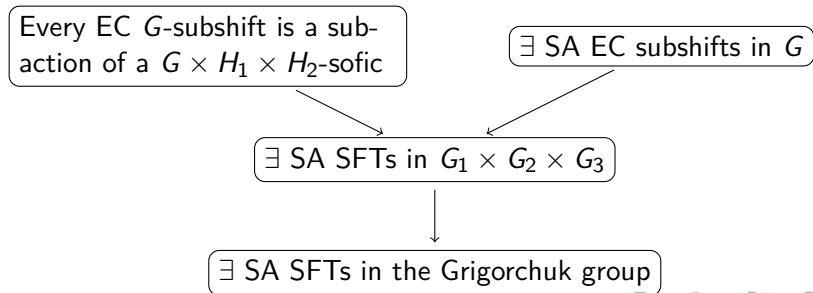
\exists SA SFTs in $G_1 \times G_2 \times G_3$



\exists SA SFTs in the Grigorchuk group

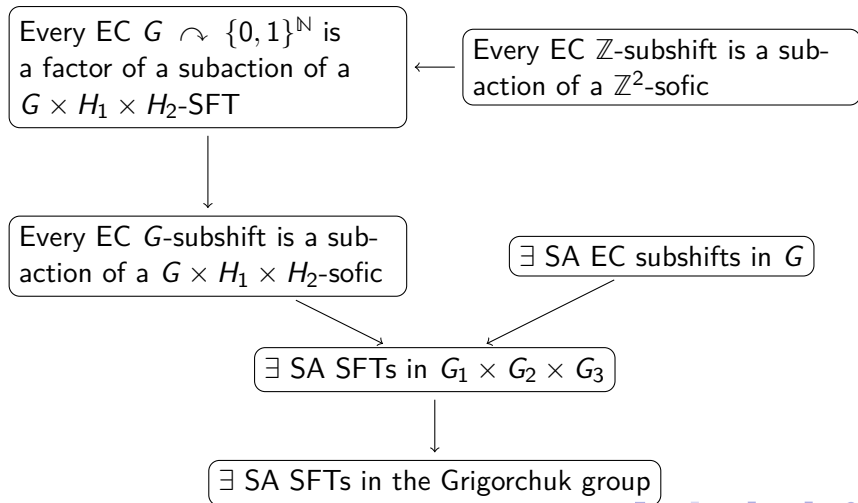
What about the Grigorchuk group?

All groups here are infinite, finitely generated and have decidable word problem.



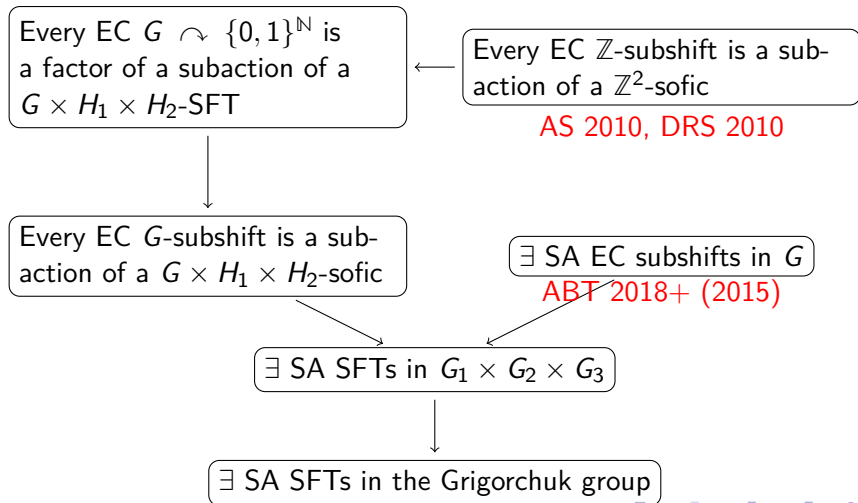
What about the Grigorchuk group?

All groups here are infinite, finitely generated and have decidable word problem.



What about the Grigorchuk group?

All groups here are infinite, finitely generated and have decidable word problem.



Commensurability

We say that two groups G_1, G_2 are *commensurable* if they contain finite index subgroups H_1, H_2 such that $H_1 \cong H_2$.

$$G_1 \leftarrow H_1 \cong H_2 \hookrightarrow G_2$$

Commensurability

We say that two groups G_1, G_2 are *commensurable* if they contain finite index subgroups H_1, H_2 such that $H_1 \cong H_2$.

$$G_1 \leftarrow H_1 \cong H_2 \hookrightarrow G_2$$

▷ Recall that the Grigorchuk group G is commensurable to its square $G \times G$

Commensurability

We say that two groups G_1, G_2 are *commensurable* if they contain finite index subgroups H_1, H_2 such that $H_1 \cong H_2$.

$$G_1 \leftarrow H_1 \cong H_2 \hookrightarrow G_2$$

- ▷ Recall that the Grigorchuk group G is commensurable to its square $G \times G$
- ▷ if G is commensurable to $G \times G$, then it is also commensurable to $G \times G \times G$.

Commensurability

We say that two groups G_1, G_2 are *commensurable* if they contain finite index subgroups H_1, H_2 such that $H_1 \cong H_2$.

$$G_1 \leftrightarrow H_1 \cong H_2 \hookrightarrow G_2$$

- ▷ Recall that the Grigorchuk group G is commensurable to its square $G \times G$
- ▷ if G is commensurable to $G \times G$, then it is also commensurable to $G \times G \times G$.

Theorem (Carroll-Penland, 2015)

Admitting a strongly aperiodic SFT is a commensurability invariant.

\exists SA SFTs in $G_1 \times G_2 \times G_3$



\exists SA SFTs in the Grigorchuk group

\exists SA SFTs in $G_1 \times G_2 \times G_3$



\exists SA SFTs in the Grigorchuk group

\exists SA SFTs in $G_1 \times G_2 \times G_3$



\exists SA SFTs in branch groups

In fact, the same result can be extended to **branch groups**.

\exists SA SFTs in $G_1 \times G_2 \times G_3$



\exists SA SFTs in branch groups

In fact, the same result can be extended to **branch groups**.

Theorem

Let G be a finitely generated and recursively presented branch group. Then G has decidable word problem if and only if there exists a non-empty strongly aperiodic G -SFT.

We want to show next:

Every EC G -subshift is a subaction of a $G \times H_1 \times H_2$ -sofic

\exists SA EC subshifts in G

\exists SA SFTs in $G_1 \times G_2 \times G_3$

We want to show next:

Every EC G -subshift is a subaction of a $G \times H_1 \times H_2$ -sofic

\exists SA EC subshifts in G

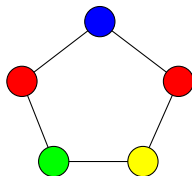
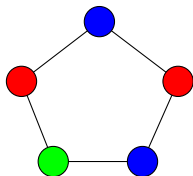
\exists SA SFTs in $G_1 \times G_2 \times G_3$

Square-free vertex coloring

Let $G = (V, E)$ be a graph. A vertex coloring is a function $x : V \rightarrow \mathcal{A}$. We say it is square-free if for every odd-length path $p = v_1 \dots v_{2n}$ then there exists $1 \leq j \leq n$ such that $x(v_j) \neq x(v_{j+n})$.

Square-free vertex coloring

Let $G = (V, E)$ be a graph. A vertex coloring is a function $x : V \rightarrow \mathcal{A}$. We say it is square-free if for every odd-length path $p = v_1 \dots v_{2n}$ then there exists $1 \leq j \leq n$ such that $x(v_j) \neq x(v_{j+n})$.



C_5 has a square-free vertex coloring with 4 colors, but not with 3.

Some infinite graphs do not admit square-free vertex colorings: $K_{\mathbb{N}}$.

Some infinite graphs do not admit square-free vertex colorings: $K_{\mathbb{N}}$.

Theorem: Alon, Grytczuk, Haluszczak and Riordan

Every finite graph with maximum degree Δ can be square-free vertex colored with $2^{17}\Delta^2$ colors.

Some infinite graphs do not admit square-free vertex colorings: $K_{\mathbb{N}}$.

Theorem: Alon, Grytczuk, Haluszczak and Riordan

Every finite graph with maximum degree Δ can be square-free vertex colored with $2^{17}\Delta^2$ colors.

Let

$$\Gamma(G, S) = (G, \{\{g, gs\}, g \in G, s \in S\})$$

be the undirected right Cayley graph of G with respect to $S \subseteq G$.
A compactness argument shows:

Theorem

$\Gamma(G, S)$ can be square-free vertex colored with $2^{19}|S|^2$ colors.

Constructing an EC SA subshift

Let $|\mathcal{A}| \geq 2^{19}|S|^2$ and $X \subset \mathcal{A}^G$ be the subshift such that every square in $\Gamma(G, S)$ is forbidden.

Constructing an EC SA subshift

Let $|\mathcal{A}| \geq 2^{19}|\mathcal{S}|^2$ and $X \subset \mathcal{A}^G$ be the subshift such that every square in $\Gamma(G, \mathcal{S})$ is forbidden.

- $X \neq \emptyset$.

Constructing an EC SA subshift

Let $|\mathcal{A}| \geq 2^{19}|\mathcal{S}|^2$ and $X \subset \mathcal{A}^G$ be the subshift such that every square in $\Gamma(G, \mathcal{S})$ is forbidden.

- $X \neq \emptyset$.
- Let $g \in G$ such that $gx = x$ for some $x \in X$.

Constructing an EC SA subshift

Let $|\mathcal{A}| \geq 2^{19}|S|^2$ and $X \subset \mathcal{A}^G$ be the subshift such that every square in $\Gamma(G, S)$ is forbidden.

- $X \neq \emptyset$.
- Let $g \in G$ such that $gx = x$ for some $x \in X$.
- Factorize g as uwv with $u = v^{-1}$ and $|w|$ minimal (as a word on $(S \cup S^{-1})^*$). If $|w| = 0$, then $g = 1_G$.

Constructing an EC SA subshift

Let $|\mathcal{A}| \geq 2^{19}|S|^2$ and $X \subset \mathcal{A}^G$ be the subshift such that every square in $\Gamma(G, S)$ is forbidden.

- $X \neq \emptyset$.
- Let $g \in G$ such that $gx = x$ for some $x \in X$.
- Factorize g as uwv with $u = v^{-1}$ and $|w|$ minimal (as a word on $(S \cup S^{-1})^*$). If $|w| = 0$, then $g = 1_G$.
- If not, let $w = w_1 \dots w_n$ and consider the odd length walk $\pi = v_0 v_1 \dots v_{2n-1}$ on $\Gamma(G, S)$ defined by:

$$v_i = \begin{cases} 1_G & \text{if } i = 0 \\ w_1 \dots w_i & \text{if } i \in \{1, \dots, n\} \\ ww_1 \dots w_{i-n} & \text{if } i \in \{n+1, \dots, 2n-1\} \end{cases}$$

Constructing an EC SA subshift

Let $|\mathcal{A}| \geq 2^{19}|S|^2$ and $X \subset \mathcal{A}^G$ be the subshift such that every square in $\Gamma(G, S)$ is forbidden.

- $X \neq \emptyset$.
- Let $g \in G$ such that $gx = x$ for some $x \in X$.
- Factorize g as uwv with $u = v^{-1}$ and $|w|$ minimal (as a word on $(S \cup S^{-1})^*$). If $|w| = 0$, then $g = 1_G$.
- If not, let $w = w_1 \dots w_n$ and consider the odd length walk $\pi = v_0 v_1 \dots v_{2n-1}$ on $\Gamma(G, S)$ defined by:

$$v_i = \begin{cases} 1_G & \text{if } i = 0 \\ w_1 \dots w_i & \text{if } i \in \{1, \dots, n\} \\ ww_1 \dots w_{i-n} & \text{if } i \in \{n+1, \dots, 2n-1\} \end{cases}$$

- π is a path and $x_{v_i} = x_{v_{i+n}}$. $\rightarrow \leftarrow$

Constructing an EC SA subshift

Let $|\mathcal{A}| \geq 2^{19}|S|^2$ and $X \subset \mathcal{A}^G$ be the subshift such that every square in $\Gamma(G, S)$ is forbidden.

- $X \neq \emptyset$.
- Let $g \in G$ such that $gx = x$ for some $x \in X$.
- Factorize g as uwv with $u = v^{-1}$ and $|w|$ minimal (as a word on $(S \cup S^{-1})^*$). If $|w| = 0$, then $g = 1_G$.
- If not, let $w = w_1 \dots w_n$ and consider the odd length walk $\pi = v_0 v_1 \dots v_{2n-1}$ on $\Gamma(G, S)$ defined by:

$$v_i = \begin{cases} 1_G & \text{if } i = 0 \\ w_1 \dots w_i & \text{if } i \in \{1, \dots, n\} \\ ww_1 \dots w_{i-n} & \text{if } i \in \{n+1, \dots, 2n-1\} \end{cases}$$

- π is a path and $x_{v_i} = x_{v_{i+n}}$. $\rightarrow \leftarrow$
- Therefore, $g = 1_G$.

Constructing an EC SA subshift

Let $|\mathcal{A}| \geq 2^{19}|S|^2$ and $X \subset \mathcal{A}^G$ be the subshift such that every square in $\Gamma(G, S)$ is forbidden.

- $X \neq \emptyset$.
- Let $g \in G$ such that $gx = x$ for some $x \in X$.
- Factorize g as uwv with $u = v^{-1}$ and $|w|$ minimal (as a word on $(S \cup S^{-1})^*$). If $|w| = 0$, then $g = 1_G$.
- If not, let $w = w_1 \dots w_n$ and consider the odd length walk $\pi = v_0 v_1 \dots v_{2n-1}$ on $\Gamma(G, S)$ defined by:

$$v_i = \begin{cases} 1_G & \text{if } i = 0 \\ w_1 \dots w_i & \text{if } i \in \{1, \dots, n\} \\ ww_1 \dots w_{i-n} & \text{if } i \in \{n+1, \dots, 2n-1\} \end{cases}$$

- π is a path and $x_{v_i} = x_{v_{i+n}}$. $\rightarrow \leftarrow$
- Therefore, $g = 1_G$.

If G has decidable word problem, then X is effectively closed.

We want to show next:

Every EC G -subshift is a subaction of a $G \times H_1 \times H_2$ -sofic

\exists SA EC subshifts in G

\exists SA SFTs in $G_1 \times G_2 \times G_3$

We want to show next:

Every EC G -subshift is a subaction of a $G \times H_1 \times H_2$ -sofic

\exists SA EC subshifts in G

\exists SA SFTs in $G_1 \times G_2 \times G_3$

Finitely presented group

A group G is finitely presented if $G \cong \langle S | R \rangle$ where both S and $R \subset (S \cup S^{-1})^*$ are finite.

$$\mathbb{Z}^2 = \langle a, b \mid aba^{-1}b^{-1} \rangle$$

Finitely presented group

A group G is finitely presented if $G \cong \langle S | R \rangle$ where both S and $R \subset (S \cup S^{-1})^*$ are finite.

$$\mathbb{Z}^2 = \langle a, b \mid aba^{-1}b^{-1} \rangle$$

Recursively presented group

A group G is recursively presented if $G \cong \langle S | R \rangle$ where $S \subset \mathbb{N}$ and $R \subset (S \cup S^{-1})^*$ are recursively enumerable sets.

$$L = \langle a, t \mid (at^n at^{-n})^2, n \in \mathbb{N} \rangle$$

Theorem (Higman, 1961)

For every recursively presented group H there exists a finitely presented group G such that H embeds into G .

Theorem (Higman, 1961)

For every recursively presented group H there exists a finitely presented group G such that H embeds into G .

“A complicated object is realized inside another object which admits a much simpler presentation.”

The philosophy behind it

Theorem (Higman, 1961)

For every recursively presented group H there exists a finitely presented group G such that H embeds into G .

“A complicated object is realized inside another object which admits a much simpler presentation.”

Corollary [Theorem: Novikov 1955, Boone 1958]

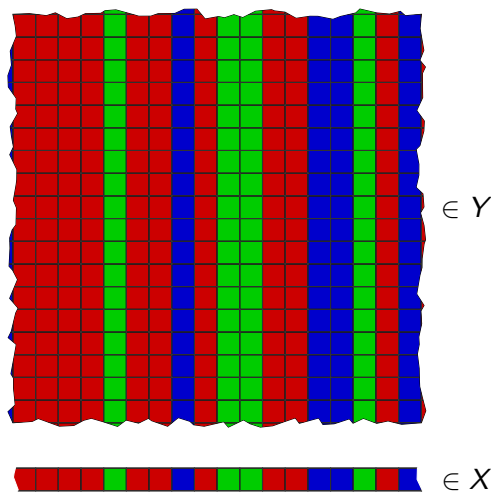
There are finitely presented groups with undecidable word problem

Just apply Higman's theorem to

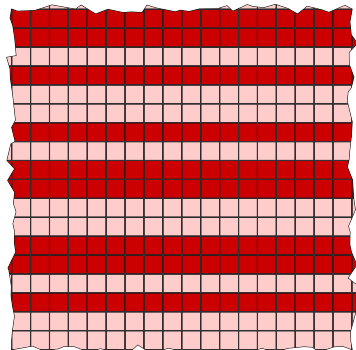
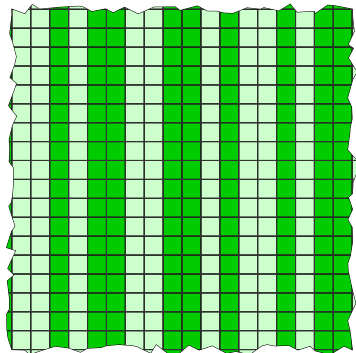
$G = \langle a, b, c, d \mid b^{-n}ab^n = c^{-n}dc^n, n \in \text{HALT} \rangle \dots$ done!

The case of subshifts

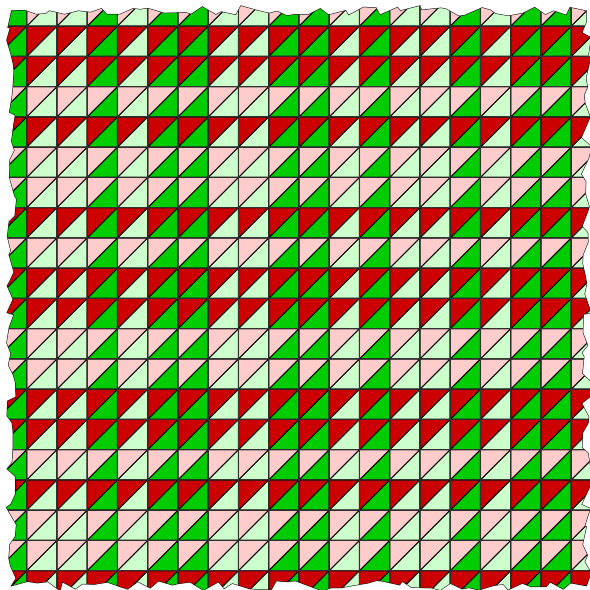
Every EC \mathbb{Z} -subshift
 X is a subaction of a
 \mathbb{Z}^2 -sofic Y



The case of subshifts



The case of subshifts



proof

- Take G_1 EC SA subshift. Use simulation to obtain a $G_1 \times G_2 \times G_3$ -sofic subshift Y_1 such that $G_2 \times G_3$ act trivially and G_1 acts freely.
- Do the same for G_2, G_3 to get Y_2, Y_3 .
- $Y_1 \times Y_2 \times Y_3$ is a SA sofic subshift.
- Any SFT extension $X \rightarrow Y_1 \times Y_2 \times Y_3$ works.

proof

- Take G_1 EC SA subshift. Use simulation to obtain a $G_1 \times G_2 \times G_3$ -sofic subshift Y_1 such that $G_2 \times G_3$ act trivially and G_1 acts freely.
- Do the same for G_2, G_3 to get Y_2, Y_3 .
- $Y_1 \times Y_2 \times Y_3$ is a SA sofic subshift.
- Any SFT extension $X \rightarrow Y_1 \times Y_2 \times Y_3$ works.

Every EC G -subshift is a subaction of a $G \times H_1 \times H_2$ -sofic

\exists SA EC subshifts in G

\exists SA SFTs in $G_1 \times G_2 \times G_3$

How does one prove such a thing?

Every EC $G \curvearrowright \{0,1\}^{\mathbb{N}}$ is
a factor of a subaction of a
 $G \times H_1 \times H_2$ -SFT



Every EC G -subshift is a sub-
action of a $G \times H_1 \times H_2$ -sofic

How does one prove such a thing?

Every EC $G \curvearrowright \{0,1\}^{\mathbb{N}}$ is
a factor of a subaction of a
 $G \times H_1 \times H_2$ -SFT



Every EC G -subshift is a sub-
action of a $G \times H_1 \times H_2$ -sofic

Two ingredients:

- A Toeplitz coding of EC actions from a work of me and M. Sablik.
- A coding of E. Jeandel of a theorem of Seward on translation-like actions.

How does one prove such a thing?

Let's keep it simple, let's do $G \times \mathbb{Z}^2$. Consider an action

$$G \curvearrowright X \subset \{0, 1\}^{\mathbb{N}}$$

How does one prove such a thing?

Let's keep it simple, let's do $G \times \mathbb{Z}^2$. Consider an action

$$G \curvearrowright X \subset \{0, 1\}^{\mathbb{N}}$$

Let $\Psi : \{0, 1\}^{\mathbb{N}} \rightarrow \{0, 1, \$\}^{\mathbb{Z}}$ be given by:

$$\Psi(x)_j = \begin{cases} x_n & \text{if } j = 3^n \pmod{3^{n+1}} \\ \$ & \text{in the contrary case.} \end{cases}$$

How does one prove such a thing?

Let's keep it simple, let's do $G \times \mathbb{Z}^2$. Consider an action

$$G \curvearrowright X \subset \{0, 1\}^{\mathbb{N}}$$

Let $\Psi : \{0, 1\}^{\mathbb{N}} \rightarrow \{0, 1, \$\}^{\mathbb{Z}}$ be given by:

$$\Psi(x)_j = \begin{cases} x_n & \text{if } j = 3^n \pmod{3^{n+1}} \\ \$ & \text{in the contrary case.} \end{cases}$$

Example

If we write $x = x_0x_1x_2x_3\dots$ we obtain,

$$\Psi(x) = \dots \$x_0\$x_1x_0\$ \$x_0\$x_2x_0\$x_1x_0\$ \$x_0\$ \$x_0\$x_1x_0\$ \$x_0\$x_3x_0\dots$$

How does one prove such a thing?

$\dots x_0 x_1 x_0 x_2 x_0 x_1 x_0 x_3 x_0 \dots$

How does one prove such a thing?

$\dots x_0 x_1 x_0 x_0 x_2 x_0 x_1 x_0 x_0 x_0 x_1 x_0 x_0 x_3 x_0 \dots$



$\dots x_0 x_1 x_0 x_0 x_2 x_0 x_1 x_0 x_0 x_0 x_1 x_0 x_0 x_3 x_0 \dots$

How does one prove such a thing?

... $x_0 x_1 x_0 x_2 x_0 x_1 x_0 x_3 x_0$...

↓

... $x_0 x_1 x_0 x_2 x_0 x_1 x_0 x_3 x_0$...

↓

... $x_0 x_1 x_2 x_1 x_3$...

How does one prove such a thing?

... $x_0 x_1 x_0 x_0 x_2 x_0 x_1 x_0 x_0 x_0 x_1 x_0 x_0 x_3 x_0$...



... $x_0 x_1 x_0 x_0 x_2 x_0 x_1 x_0 x_0 x_0 x_1 x_0 x_0 x_3 x_0$...



... $x_1 x_2 x_1 x_0 x_1 x_0 x_1 x_3$...



... $x_1 x_2 x_1 x_3 x_1 x_2 x_1 x_1 x_2 x_1 x_4 x_1$...

How does one prove such a thing?

- ▷ pick a finite set of generators S of G .
- ▷ construct a subshift Π where every configuration is (up to small details) an S -tuple of configurations of the previous form.

$$S = \{1_G, s_1, \dots, s_n\}$$

$$\begin{pmatrix} \Psi(x) \\ \Psi(s_1(x)) \\ \vdots \\ \Psi(s_n(x)) \end{pmatrix} \in \Pi$$

How does one prove such a thing?

- ▷ pick a finite set of generators S of G .
- ▷ construct a subshift Π where every configuration is (up to small details) an S -tuple of configurations of the previous form.

$$S = \{1_G, s_1, \dots, s_n\}$$

$$\begin{pmatrix} \Psi(x) \\ \Psi(s_1(x)) \\ \vdots \\ \Psi(s_n(x)) \end{pmatrix} \in \Pi$$

Claim

If $G \curvearrowright X$ is an effectively closed action, Π is an effectively closed subshift.

How does one prove such a thing?

Every EC $G \curvearrowright \{0,1\}^{\mathbb{N}}$ is
a factor of a subaction of a
 $G \times H_1 \times H_2$ -SFT

Every EC \mathbb{Z} -subshift is a sub-
action of a \mathbb{Z}^2 -sofic

▷ There exists a sofic \mathbb{Z}^2 -subshift $\tilde{\Pi}$ having Π in every horizontal row.

How does one prove such a thing?

Every EC $G \curvearrowright \{0,1\}^{\mathbb{N}}$ is
a factor of a subaction of a
 $G \times H_1 \times H_2$ -SFT

Every EC \mathbb{Z} -subshift is a sub-
action of a \mathbb{Z}^2 -sofic

- ▷ There exists a sofic \mathbb{Z}^2 -subshift $\tilde{\Pi}$ having Π in every horizontal row.
- ▷ Using the decoding argument, construct a map from $\tilde{\Pi}$ to X .

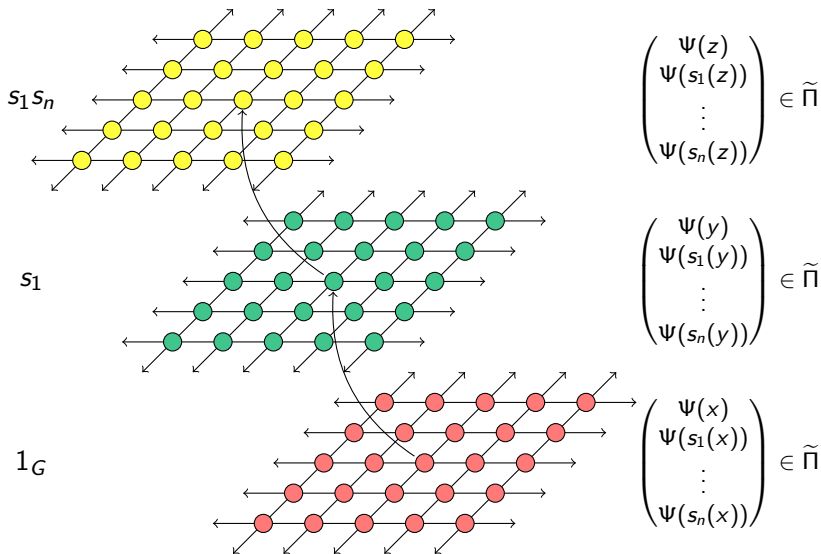
How does one prove such a thing?

Every EC $G \curvearrowright \{0,1\}^{\mathbb{N}}$ is
a factor of a subaction of a
 $G \times H_1 \times H_2$ -SFT

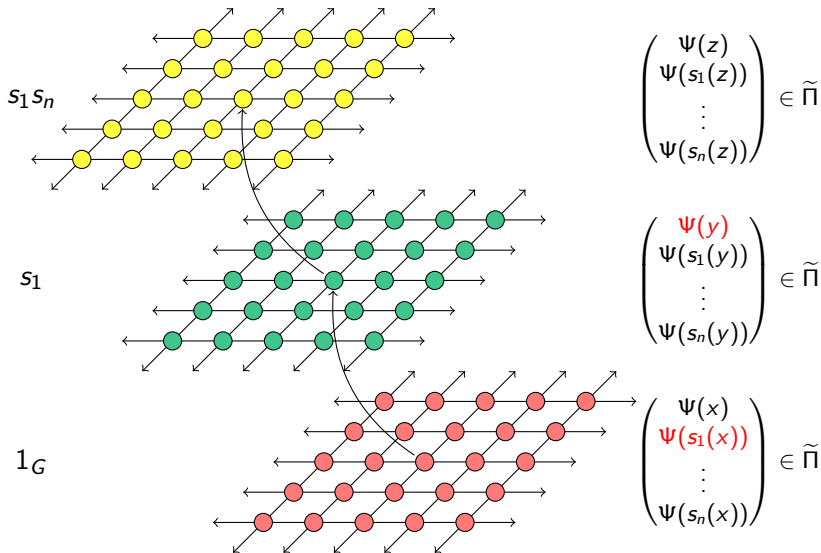
Every EC \mathbb{Z} -subshift is a sub-
action of a \mathbb{Z}^2 -sofic

- ▷ There exists a sofic \mathbb{Z}^2 -subshift $\tilde{\Pi}$ having Π in every horizontal row.
- ▷ Using the decoding argument, construct a map from $\tilde{\Pi}$ to X .
- ▷ Put in every G -coset of $G \times \mathbb{Z}^2$ a configuration of $\tilde{\Pi}$. Tie them using local rules.

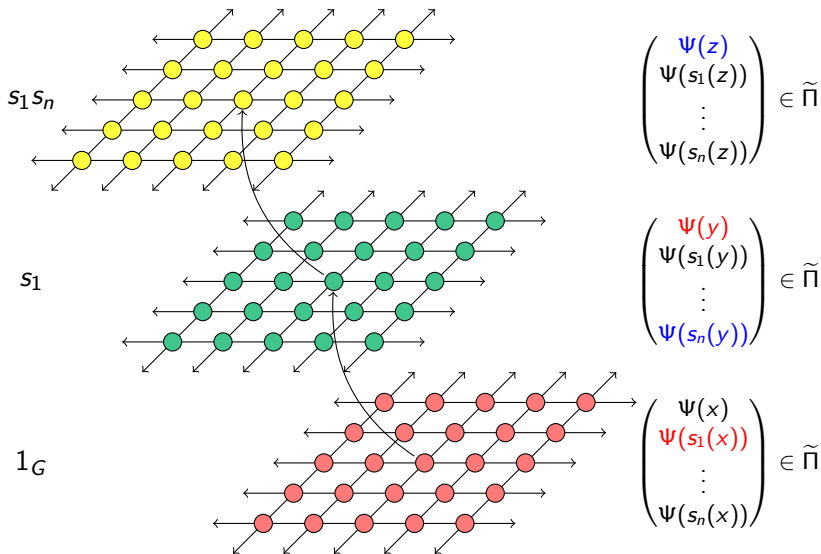
How does one prove such a thing?



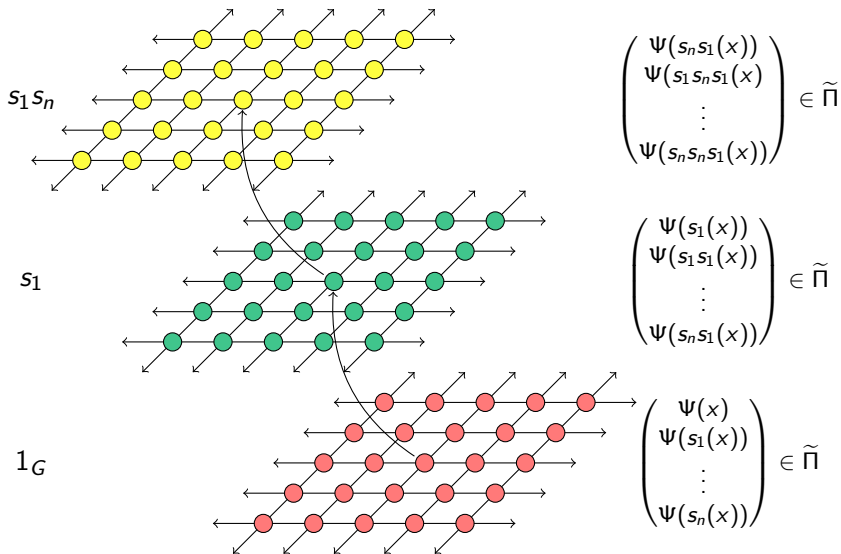
How does one prove such a thing?



How does one prove such a thing?



How does one prove such a thing?



How to go from \mathbb{Z}^2 to $H_1 \times H_2$?

How to go from \mathbb{Z}^2 to $H_1 \times H_2$?

[Whyte] translation-like action

an action $G \curvearrowright (X, d)$ is *translation-like* if:

- G acts freely
- For each $g \in G$, $\sup_{x \in X} d(x, gx) < \infty$.

How to go from \mathbb{Z}^2 to $H_1 \times H_2$?

[Whyte] translation-like action

an action $G \curvearrowright (X, d)$ is *translation-like* if:

- G acts freely
- For each $g \in G$, $\sup_{x \in X} d(x, gx) < \infty$.

Theorem (Seward, 2013)

Each infinite and f.g. group admits a translation-like action of \mathbb{Z} .

How to go from \mathbb{Z}^2 to $H_1 \times H_2$?

[Whyte] translation-like action

an action $G \curvearrowright (X, d)$ is *translation-like* if:

- G acts freely
- For each $g \in G$, $\sup_{x \in X} d(x, gx) < \infty$.

Theorem (Seward, 2013)

Each infinite and f.g. group admits a translation-like action of \mathbb{Z} .

This means that each infinite and f.g. group admits a Cayley graph that can be partitioned into disjoint bi-infinite paths.

[Jeandel] Use the set of generators of the Cayley graph to define an SFT which codes the translation-like action.

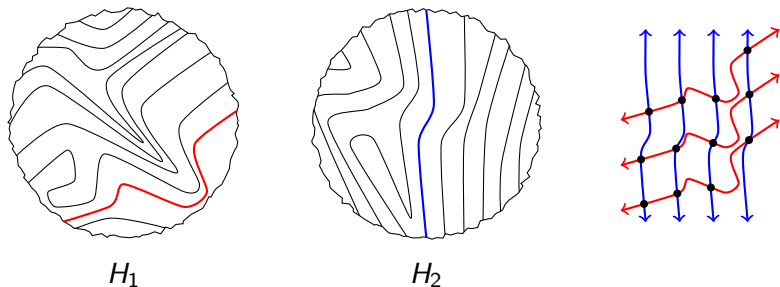
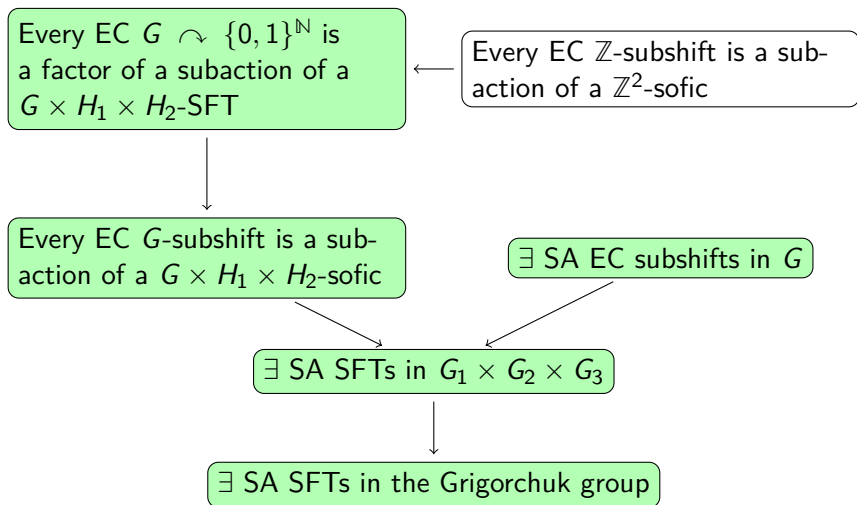
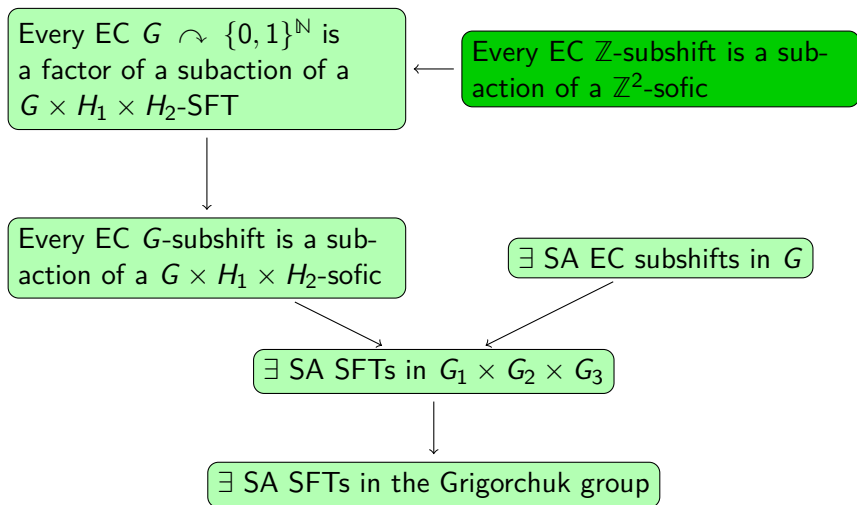


Figure: Finding a grid in $H_1 \times H_2$





Thank you for your attention!

